

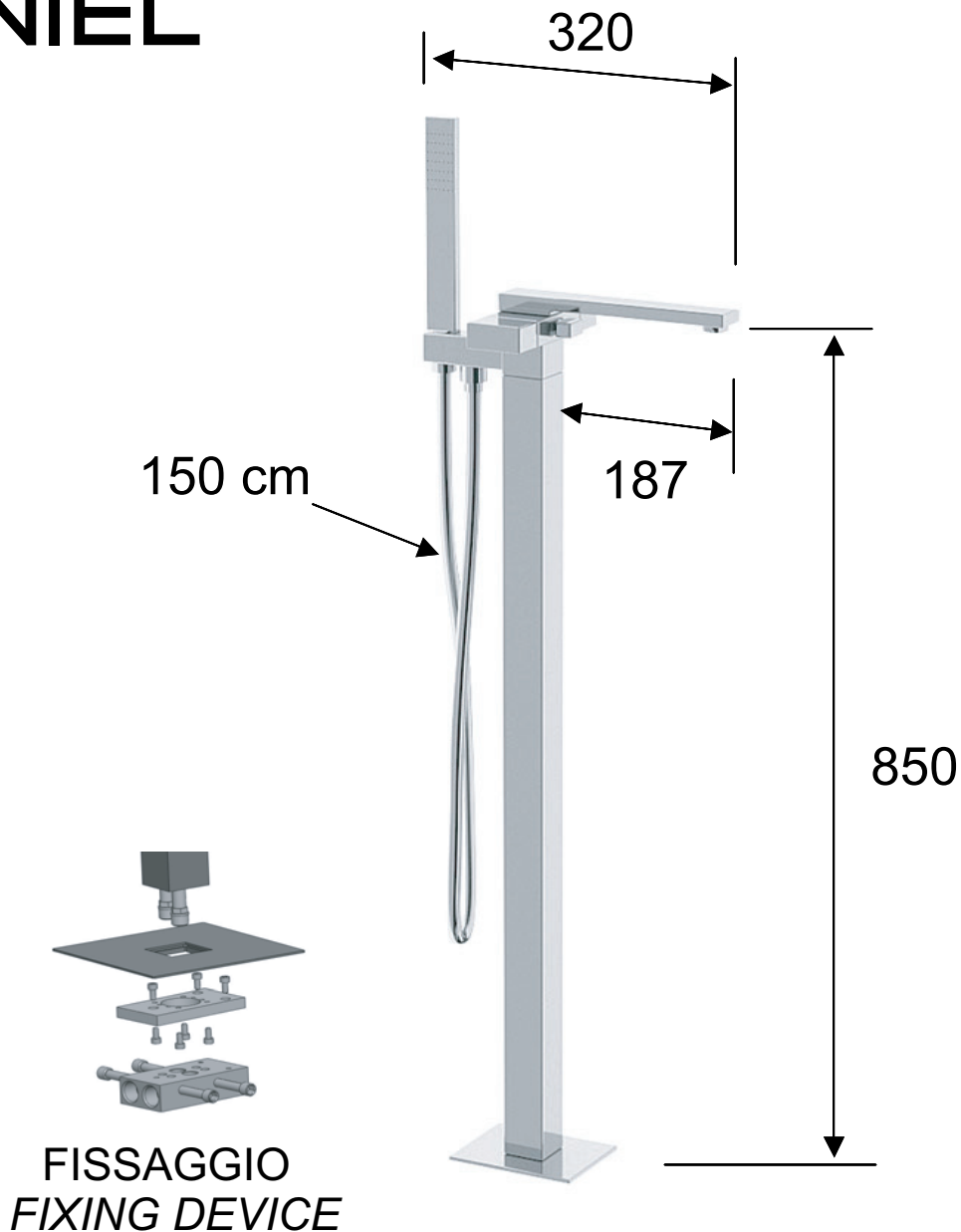


DANIEL

SCHEDA TECNICA *TECHNICAL FEATURES*

ART. COD.

W4378



MATERIALI / MATERIALS

OTTONE CROMATO / CHROME PLATED BRASS

CROMATURA / CHROME PLATING

UNI EN 248