

AXOR Starck
Shut-off valve for concealed installation
Surfaces: **Chrome** Article Number: **10970000**



Description

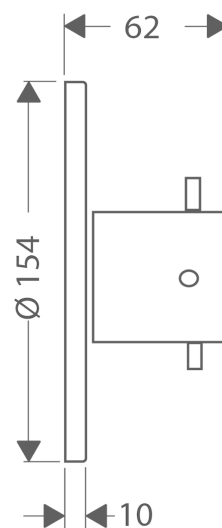
product features

- connection type: DN15/DN20

Product image



Scale drawing

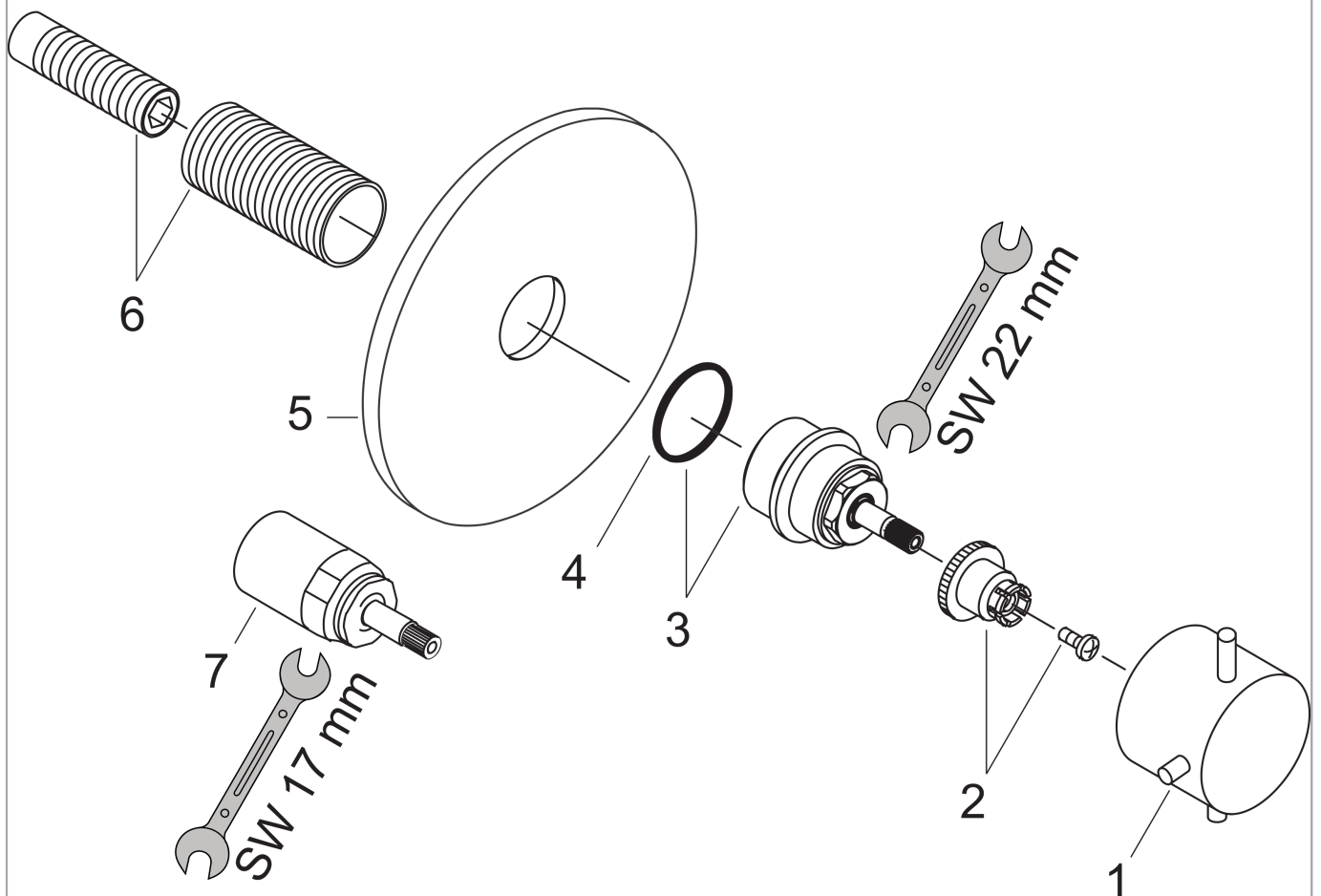


AXOR Starck
Shut-off valve for concealed installation
Surfaces: **Chrome** Article Number: **10970000**



Exploded Drawing

Year of production: >04/01



AXOR Starck
Shut-off valve for concealed installation
 Surfaces: **Chrome** Article Number: **10970000**



Spare part list

Year of production: >04/01

Pos.	Description	Article Number	PC	PU
1	handle	10991000	0	1
2	handle fixing set	94184000	0	1
3	nut	97358000	0	1
4	O-ring 33x1,5	98164000	0	1
5	escutcheon Ø 154 mm	94354000	0	1
6	fixing set	96392000	0	1
7	extension 25 mm	96370000	0	1
a	concealed items DN20 (¾")	15970180	0	1
b	concealed items ½"	15973180	0	1
c	concealed items ½"	15974180	0	1