

CV 14 VERTICAL SINGLE

Radiator composed of 14 mm diameter vertical steel elements fusion welded with 34 mm diameter manifolds

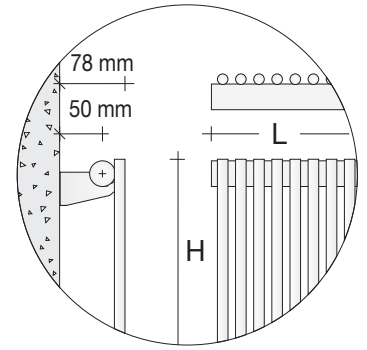


ORDER EXAMPLE

To correctly order this model follow the example specified below:

PRODUCT	CV14#200 018 0C1 ST 9010
CV14#200 018	Article code composed of Model, Height (200) and Number of elements (018)
0C1	Connector code found in the table here below
ST	Standard Support code found in the table here below
9010	Colour code found in the TUBES COLOUR CHART
ACCESSORIES	
Z1TLNR#AN R12 9010	Valve and Lockshield - Copper angle 1/2" for copper pipes or multi-layer pipes - White RAL 9010
Z1RAC#R12CRO	12mm diam. copper pipe unions for Valve+Lockshield – chrome finish (2)

For other types of Valves see the table below or those on pages 217 - 218 - 219 - 220.



CONNECTORS

The radiators are supplied with "0C1" connectors as shown in the table here below.

If different connectors are required, strictly indicate this in the order. **IMPORTANT:** the connectors of the radiators ordered and the radiators connected to the same system should all have the same configuration otherwise operating problems could occur. The OB2 configuration should have two 1/8" diameter chrome-plated plugs on the head of the manifolds.

Standard connectors

Will be supplied if not otherwise specified when placing the order

Custom-made connectors

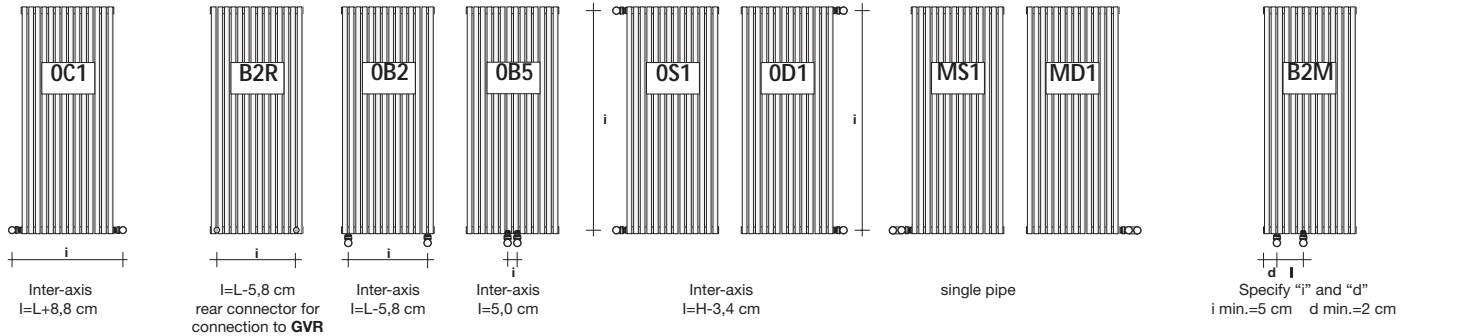
Supplied on request WITH an additional price charge of € (NOT available in chrome-plated version)

Connectors on request

Supplied on request WITHOUT an additional price charge

Custom-made connectors

Supplied on request WITH an additional price charge of € (NOT available in chrome-plated version)



SUPPORTS

The radiators are supplied with standard supports (code ST) that include the wall fixing shelves and the manual vent Valve.

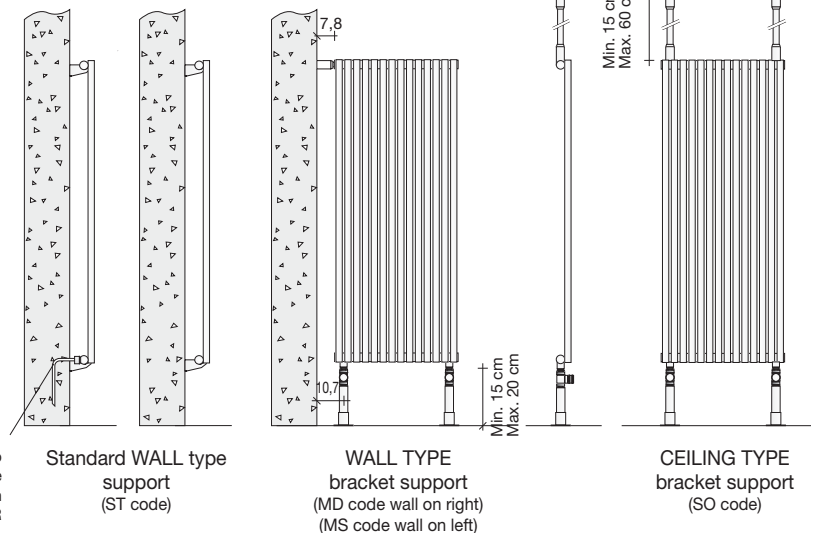
On request they can be ordered with bracket supports that are permanently welded on the towel warmers and therefore must be specified when placing the order, their code and cost are as follows:

- code MD WALL TYPE bracket support on the Right €
- code MS WALL TYPE bracket support on the Left €
- code SO CEILING TYPE bracket support €

LIMITS

- WALL TYPE bracket support Width max 58.6 cm
- CEILING TYPE bracket support Width max 77.8 cm

The Chrome plated version cannot be supplied with bracket supports



ADDITIONAL COLOUR CHARGE (see the official Tubes Colour Chart)

Additional colour charges are calculated over the Pure white price (Cat. C0), for the other categories the additional charges herein below are applicable:

- Category C1 and C2 +10%
- C3 Category +20%
- RAL not included in the colour chart +30%
- According to samples Request feasibility and cost estimate

Standard VALVES (for Valves and Lockshields, valves that can be fitted with thermostat, Thermostatic valves, or Single pipe, Twin pipe, Stainless steel and thermostatic heads see pages 217 - 218 - 219 - 220)

	code	Description	Price		code	Description	Price
	Z1TLNR#ANR129010	Valve and Lockshield - ValCOLOR Copper Angle 1/2" RAL 9010 Glossy Pure White	€		GVR#	Valve and Lockshield assembly for recessed remote connection, CHROME finish	€
	Z1RAC#R12CRO	2 copper unions diam. 12 mm for ValCOLOR Chrome finish Valve+Lockshield	€		GVR#	Valve and Lockshield assembly for recessed remote connection, COLOUR finish	€
	ZRCF2#	Kit with CHROME-PLATED pipe collars	€				

CV 14 VERTICAL SINGLE

Price per radiator with White RAL 9010 finish and standard connectors - VAT and transport charges excluded



Thermal yield ΔT 50°C - Watts per radiator

Height		40		50		60		70		80		100		110		120		150	
N° elements	Width (cm)	Watts ΔT 50°C	Price (€)	Watts ΔT 50°C	Price (€)	Watts ΔT 50°C	Price (€)	Watts ΔT 50°C	Price (€)	Watts ΔT 50°C	Price (€)	Watts ΔT 50°C	Price (€)	Watts ΔT 50°C	Price (€)	Watts ΔT 50°C	Price (€)	Watts ΔT 50°C	Price (€)
6	15,4	82		97		115		133		151		185		203		220		270	
8	20,2	110		129		153		177		201		247		270		293		360	
10	25,0	137		161		191		221		251		309		338		366		450	
12	29,8	164		193		229		265		301		371		406		439		540	
14	34,6	192		225		267		309		351		433		473		512		630	
16	39,4	219		258		306		354		402		494		541		586		720	
18	44,2	247		290		344		398		452		556		608		659		810	
20	49,0	274		322		382		442		502		618		676		732		900	
22	53,8	301		354		420		486		552		680		744		805		990	
24	58,6	329		386		458		530		602		742		811		878		1080	
26	63,4	356		419		497		575		653		803		879		952		1170	
28	68,2	384		451		535		619		703		865		946		1025		1260	
30	73,0	411		483		573		663		753		927		1014		1098		1350	
32	77,8	438		515		611		707		803		989		1082		1171		1440	
34	82,6	466		547		649		751		853		1051		1149		1244		1530	
36	87,4	493		580		688		796		904		1112		1217		1318		1620	
38	92,2	521		612		726		840		954		1174		1284		1391		1710	
40	97,0	548		644		764		884		1004		1236		1352		1464		1800	
42	101,8	575		676		802		928		1054		1298		1420		1537		1890	
44	106,6	603		708		840		972		1104		1360		1487		1610		1980	
46	111,4	630		741		879		1017		1155		1421		1555		1684		2070	
48	116,2	658		773		917		1061		1205		1483		1622		1757		2160	
50	121,0	685		805		955		1105		1255		1545		1690		1830		2250	
52	125,8	712		837		993		1149		1305		1607		1758		1903		2340	
54	130,6	740		869		1031		1193		1355		1669		1825		1976		2430	
56	135,4	767		902		1070		1238		1406		1730		1893		2050		2520	
58	140,2	795		934		1108		1282		1456		1792		1960		2123		2610	
60	145,0	822		966		1146		1326		1506		1854		2028		2196		2700	
66	159,4	904		1063		1261		1459		1657		2039		2231		2416		2970	
70	169,0	959		1127		1337		1547		1757		2163		2366		2562		3150	
76	183,4	1041		1224		1452		1680		1908		2348		2569		2782		3420	
80	193,0	1096		1288		1528		1768		2008		2472		2704		2928		3600	
86	207,4	1178		1385		1643		1901		2159		2657		2907		3148		3870	
90	217,0	1233		1449		1719		1989		2259		2781		3042		3294		4050	
96	231,4	1315		1546		1834		2122		2410		2966		3245		3514		4320	
100	241,0	1370		1610		1910		2210		2510		3090		3380		3660		4500	
106	255,4	1452		1707		2025		2343		2661		3275		3583		3880		4770	
110	265,0	1507		1771		2101		2431		2761		3399		3718		4026		4950	
116	279,4	1589		1868		2216		2564		2912		3584		3921		4246		5220	

Height		160		180		190		200		210		220		240		250		280	
N° elements	Width (cm)	Watts ΔT 50°C	Price (€)	Watts ΔT 50°C	Price (€)	Watts ΔT 50°C	Price (€)	Watts ΔT 50°C	Price (€)	Watts ΔT 50°C	Price (€)	Watts ΔT 50°C	Price (€)	Watts ΔT 50°C	Price (€)	Watts ΔT 50°C	Price (€)	Watts ΔT 50°C	Price (€)
6	15,4	287		320		336		353		368		384		416		431		478	
8	20,2	382		426		448		471		490		512		554		575		637	
10	25,0	478		533		560		589		613		640		693		719		796	
12	29,8	574		640		672		707		736		768		832		863		955	
14	34,6	669		746		784		825		858		896		970		1007		1114	
16	39,4	765		853		896		942		981		1024		1109		1150		1274	
18	44,2	860		959		1008		1060		1103		1152		1247		1294		1433	
20	49,0	956		1066		1120		1178		1226		1280		1386		1438		1592	
22	53,8	1052		1173		1232		1296		1349		1408		1525		1582		1751	
24	58,6	1147		1279		1344		1414		1471		1536		1663		1726		1910	
26	63,4	1243		1386		1456		1531		1594		1664		1802		1869		2070	
28	68,2	1338		1492		1568		1649		1716		1792		1940		2013		2229	
30	73,0	1434		1599		1680		1767		1839		1920		2079		2157		2388	
32	77,8	1530		1706		1792		1885		1962		2048		2218		2301		2547	
34	82,6	1625		1812		1904		2003		2084		2176		2356		2445		2706	
36	87,4	1721		1919		2016		2120		2207		2304		2495		2588		2866	
38	92,2	1816		2025		2128		2238		2329		2432		2633		2732		3025	
40	97,0	1912		2132		2240		2356		2452		2560		2772		2876		3184	
42	101,8	2008		2239		2352		2474		2575		2688		2911		3020		3343	
44	106,6	2103		2345		2464		2592		2697		2816		3049		3164		3502	
46	111,4	2199		2452		2576		2709		2820		2944		3188		3307		3662	
48	116,2	2294		2558		2688		2827		2942		3072		3326		3451		3821	
50	121,0	2390		2665		2800		2945		3065		3200		3465		3595		3980	
52	125,8	2486		2772		2912		3063		3188		3328		3604		3739		4139	
54	130,6	2581		2878		3024		3181		3310		3456		3742		3883		4298	
56	135,4	2677		2985		3136		3298		3433		3584		3881		4026		4458	
58	140,2	2772		3091		3248		3416		3555		3712		4019		4170		4617	
60	145,0	2868		3198		3360		3534		3678		3840		4158		4314		4776	
66	159,4	3155		3518		3696		3887		4046		4224		4574		4745		5254	
70	169,0	3346		3731		3920		4123		4291		4480		4851		5033		5572	
76	183,4	3633		4051		4256		4476		4659		4864		5267		5464		6050	
80	193,0	3824		4264		4480		4712		4904		5120		5544		5752		6368	
86	207,4	4111		4584		4816		5065		5272		5504		5960		6183		6846	
90	217,0	4302		4797		5040		5301		5517		5760		6237		6471		7164	
96	231,4	4589		5117		5376		5654		5885		6144		6653		6902		7642	
100	241,0	4780		5330		5600		5890		6130		6400		6930		7190		7960	
106	255,4	5067		5650		5936		6243		6498		6784		7346		7621		8438	
110	265,0	5258		5863		6160		6479		6743		7040		7623		7909		8756	
116	279,4	5545		6183		6496		6832		7111		7424		8039		8340		9234	

SIZES AVAILABLE ON REQUEST: H.90/130/140/170/230/260/270

CV 14G VERTICAL CHROME-PLATED

Radiator composed of 14 mm diameter vertical steel elements fusion welded with 34 mm diameter manifolds

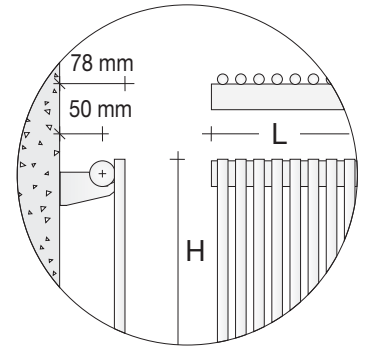


ORDER EXAMPLE

To correctly order this model follow the example specified below:

PRODUCT	CV14G#200 018 0C1 ST CRO
CV14G#200 018	Article code composed of Model, Height (200) and Number of elements (018)
0C1	Connector code found in the table here below
ST	Standard Support code found in the table here below
CRO	Finish code found in the Tubes Colour Chart
ACCESSORIES	
Z1TLNRG#AN R12 CRO	Valve and Lockshield - Copper angle 1/2" for copper pipes or multi-layer pipes - CHROME
Z1RAC#R12CRO	12mm diam. copper pipe unions for Valve+Lockshield - chrome finish (2)

For other types of Valves see the table below or those on pages 217 - 218 - 219 - 220.



CONNECTORS

The radiators are supplied with "0C1" connectors as shown in the table here below.

If different connectors are required, strictly indicate this in the order. **IMPORTANT:** the connectors of the radiators ordered and the radiators connected to the same system should all have the same configuration otherwise operating problems could occur. The OB2 configuration should have two 1/8" diameter chrome-plated plugs on the head of the manifolds.

Standard connectors

Will be supplied if not otherwise specified when placing the order

Custom-made connectors

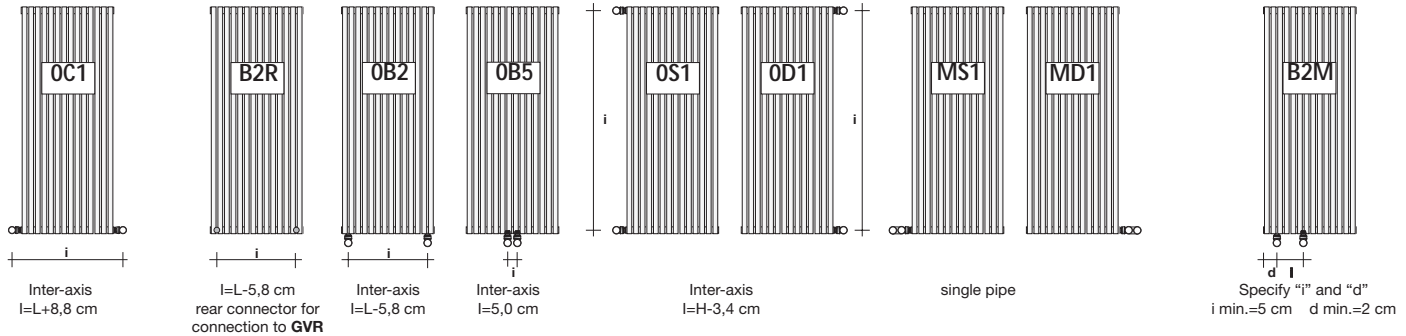
Supplied on request WITH an additional price charge of €

Connectors on request

Supplied on request WITHOUT an additional price charge

Custom-made connectors

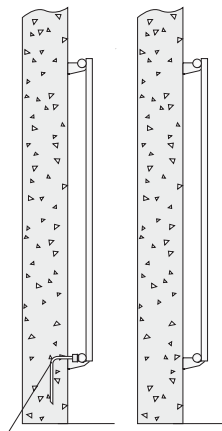
Supplied on request WITH an additional price charge of € (NOT available in chrome-plated version)



SUPPORTS

The radiators are supplied with standard supports (code ST) that include the wall fixing shelves and the manual vent Valve.

The Chrome plated version cannot be supplied with bracket supports



Connection to the Remote Valve Assembly (GVR) with connection B2R
Standard WALL type support (ST code)

ADDITIONAL CHARGES FOR FINISHES (see the official Tubes Colour Chart)

Additional colour/finish charges are calculated over the Pure white (Category C0) price for coloured finishes, and over the Chrome (Category G0) price for plated finishes.

FINISHES	
G1 Category	Without an additional price charge (NIS code)
G5 (14kt Gold) Category	+50%
G6 (24kt Gold) Category	+60%

Standard VALVES (for Valves and Lockshields, valves that can be fitted with thermostat, Thermostatic valves, or Single pipe, Twin pipe, Stainless steel and thermostatic heads see pages 217 - 218 - 219 - 220)

	code	Description	Price		code	Description	Price
	Z1TLNRG#ANR12CRO	Valve and Lockshield - ValCOLOR Copper Angle 1/2" Glossy CHROME	€		GVR#	Valve and Lockshield assembly for recessed remote connection, CHROME finish	€
	Z1RAC#R12CRO	2 copper unions diam. 12 mm for ValCOLOR Chrome finish Valve+Lockshield	€		GVRC#	Valve and Lockshield assembly for recessed remote connection, COLOUR finish	€
	ZRCF2#	Kit with CHROME-PLATED pipe collars	€				

CV 14G VERTICAL CHROME-PLATED*

Price per radiator with Chrome finish and standard connectors - VAT and transport excluded



Thermal yield ΔT 50°C - Watts per radiator

★

Height		40		50		60		70		80		90		100		110	
N° elements	Width (cm)	Watts ΔT 50°C	Price (€)	Watts ΔT 50°C	Price (€)	Watts ΔT 50°C	Price (€)	Watts ΔT 50°C	Price (€)	Watts ΔT 50°C	Price (€)	Watts ΔT 50°C	Price (€)	Watts ΔT 50°C	Price (€)	Watts ΔT 50°C	Price (€)
6	15,4	76		89		105		122		139		155		171		187	
8	20,2	101		118		141		163		185		206		227		249	
10	25,0	126		148		176		203		231		258		284		311	
12	29,8	151		178		211		244		277		309		341		373	
14	34,6	176		207		246		285		323		361		398		435	
16	39,4	202		237		281		325		369		412		455		498	
18	44,2	227		267		316		366		416		464		512		560	
20	49,0	252		296		351		407		462		515		569		622	
22	53,8	277		326		387		447		508		567		625		684	
24	58,6	302		355		422		488		554		618		682		746	
26	63,4	328		385		457		529		600		670		739		808	
28	68,2	353		415		492		569		647		721		796		871	
30	73,0	378		444		527		610		693		773		853		933	

Height		120		140		150		160		170		180		190		200	
N° elements	Width (cm)	Watts ΔT 50°C	Price (€)	Watts ΔT 50°C	Price (€)	Watts ΔT 50°C	Price (€)	Watts ΔT 50°C	Price (€)	Watts ΔT 50°C	Price (€)	Watts ΔT 50°C	Price (€)	Watts ΔT 50°C	Price (€)	Watts ΔT 50°C	Price (€)
6	15,4	202		233		248		264		279		294		309		325	
8	20,2	269		311		331		352		372		392		412		434	
10	25,0	337		389		414		440		466		490		515		542	
12	29,8	404		467		497		528		559		588		618		650	
14	34,6	471		545		580		616		652		687		721		759	
16	39,4	539		623		662		704		745		785		824		867	
18	44,2	606		700		745		792		838		883		927		975	
20	49,0	673		778		828		880		931		981		1030		1084	
22	53,8	741		856		911		967		1024		1079		1133		1192	
24	58,6	808		934		994		1055		1117		1177		1236		1301	
26	63,4	875		1012		1076		1143		1210		1275		1340		1409	
28	68,2	943		1090		1159		1231		1303		1373		1443		1517	
30	73,0	1010		1167		1242		1319		1397		1471		1546		1626	

SIZES AVAILABLE ON REQUEST: H.130

* Additional charge for the new galvanic finishings Black Nichel and Tin Glossy +10% on the Chrome version. The same additional charge is valid for the valves too.

CV 14D VERTICAL DOUBLE

Radiator composed of 14 mm diameter vertical steel elements fusion welded with 34 mm diameter manifolds

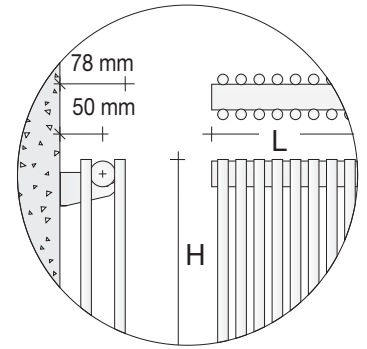


ORDER EXAMPLE

To correctly order this model follow the example specified below:

PRODUCT	CV14D#200 018 0C1 ST 9010
CV14D#200 018	Article code composed of Model, Height (200) and Number of elements (018)
0C1	Connector code found in the table here below
ST	Standard Support code found in the table here below
9010	Colour code found in the TUBES COLOUR CHART
ACCESSORIES	
Z1TLNR#AN R12 9010	Valve and Lockshield - Copper angle 1/2" for copper pipes or multi-layer pipes - White RAL 9010
Z1RAC#R12CRO	12mm diam. copper pipe unions for Valve+Lockshield – chrome finish (2)

For other types of Valves see the table below or those on pages 217 - 218 - 219 - 220.



CONNECTORS

The radiators are supplied with "0C1" connectors as shown in the table here below.

If different connectors are required, strictly indicate this in the order. **IMPORTANT:** the connectors of the radiators ordered and the radiators connected to the same system should all have the same configuration otherwise operating problems could occur. The OB2 configuration should have two 1/8" diameter chrome-plated plugs on the head of the manifolds.

Standard connectors

Will be supplied if not otherwise specified when placing the order

Custom-made connectors

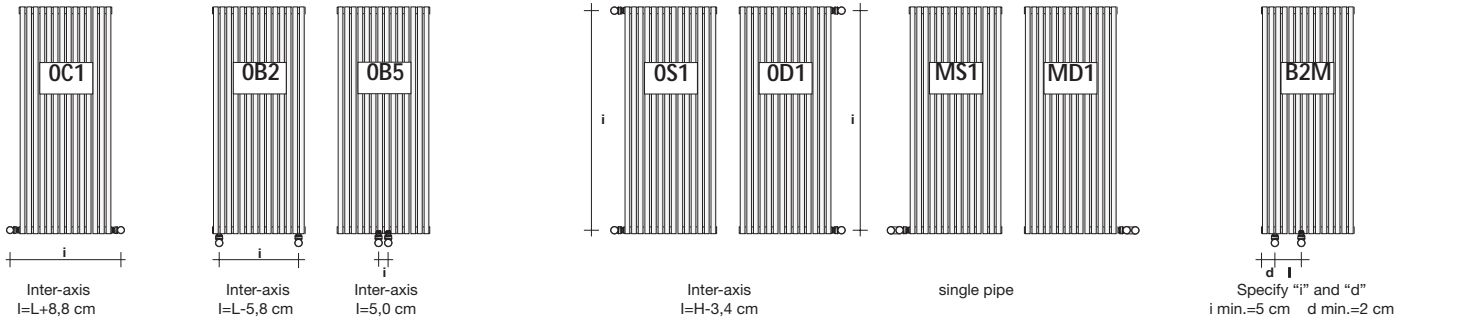
Supplied on request WITH an additional price charge of €

Connectors on request

Supplied on request WITHOUT an additional price charge

Custom-made connectors

Supplied on request WITH an additional price charge of € (NOT available in chrome-plated version)



SUPPORTS

The radiators are supplied with standard supports (code ST) that include the wall fixing shelves and the manual vent Valve.

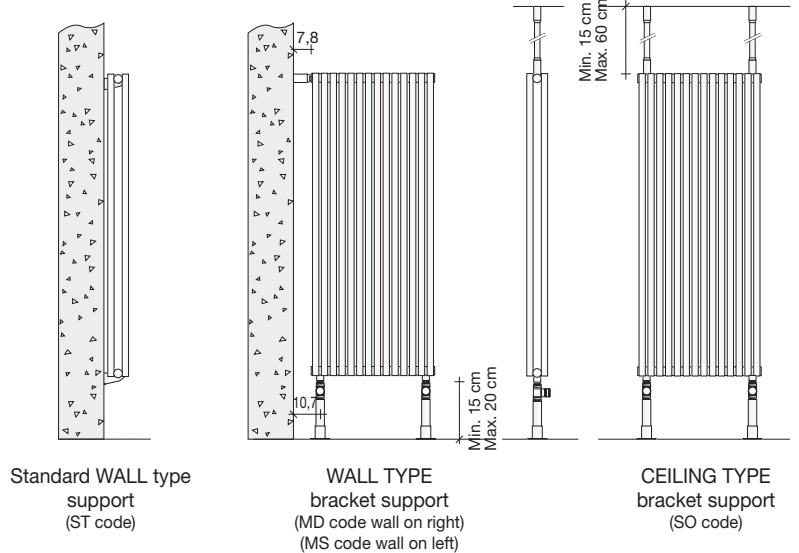
On request they can be ordered with bracket supports that are permanently welded on the towel warmers and therefore must be specified when placing the order, their code and cost are as follows:

- code MD WALL TYPE bracket support on the Right €
- code MS WALL TYPE bracket support on the Left €
- code SO CEILING TYPE bracket support €

LIMITS

- WALL TYPE bracket support Width max 39.4 cm
- CEILING TYPE bracket support Width max 58.6 cm

The Chrome plated version cannot be supplied with bracket supports



ADDITIONAL COLOUR CHARGE (see the official Tubes Colour Chart)

Additional colour charges are calculated over the Pure white price (Cat. C0), for the other categories the additional charges herein below are applicable:

- Category C1 and C2 +10%
- C3 Category +20%
- RAL not included in the colour chart +30%
- According to samples Request feasibility and cost estimate

Standard VALVES (for Valves and Lockshields, valves that can be fitted with thermostat, Thermostatic valves, or Single pipe, Twin pipe, Stainless steel and thermostatic heads see pages 217 - 218 - 219 - 220)

	code	Description	Price
	Z1TLNR#ANR129010	Valve and Lockshield - ValCOLOR Copper Angle 1/2" RAL 9010 Glossy Pure White	€
	Z1RAC#R12CRO	2 copper unions diam. 12 mm for ValCOLOR Chrome finish Valve+Lockshield	€
	ZRCF2#	Kit with CHROME-PLATED pipe collars	€

CV 14D VERTICAL DOUBLE

Price per radiator with White RAL 9010 finish and standard connectors - VAT and transport charges excluded



Thermal yield ΔT 50°C - Watts per radiator

For correction factors different to ΔT 50°C see page 230

Height		40		50		60		70		80		100		110		120		150	
N° elements	Width (cm)	Watts ΔT 50°C	Price (€)	Watts ΔT 50°C	Price (€)	Watts ΔT 50°C	Price (€)	Watts ΔT 50°C	Price (€)	Watts ΔT 50°C	Price (€)	Watts ΔT 50°C	Price (€)	Watts ΔT 50°C	Price (€)	Watts ΔT 50°C	Price (€)	Watts ΔT 50°C	Price (€)
6	15,4	118		146		173		199		224		272		295		318		382	
8	20,2	158		195		230		265		298		362		394		424		509	
10	25,0	197		244		288		331		373		453		492		530		636	
12	29,8	236		293		346		397		448		544		590		636		763	
14	34,6	276		342		403		463		522		634		689		742		890	
16	39,4	315		390		461		530		597		725		787		848		1018	
18	44,2	355		439		518		596		671		815		886		954		1145	
20	49,0	394		488		576		662		746		906		984		1060		1272	
22	53,8	433		537		634		728		821		997		1082		1166		1399	
24	58,6	473		586		691		794		895		1087		1181		1272		1526	
26	63,4	512		634		749		861		970		1178		1279		1378		1654	
28	68,2	552		683		806		927		1044		1268		1378		1484		1781	
30	73,0	591		732		864		993		1119		1359		1476		1590		1908	
32	77,8	630		781		922		1059		1194		1450		1574		1696		2035	
34	82,6	670		830		979		1125		1268		1540		1673		1802		2162	
36	87,4	709		878		1037		1192		1343		1631		1771		1908		2290	
38	92,2	749		927		1094		1258		1417		1721		1870		2014		2417	
40	97,0	788		976		1152		1324		1492		1812		1968		2120		2544	
42	101,8	827		1025		1210		1390		1567		1903		2066		2226		2671	
44	106,6	867		1074		1267		1456		1641		1993		2165		2332		2798	
46	111,4	906		1122		1325		1523		1716		2084		2263		2438		2926	
48	116,2	946		1171		1382		1589		1790		2174		2362		2544		3053	
50	121,0	985		1220		1440		1655		1865		2265		2460		2650		3180	
52	125,8	1024		1269		1498		1721		1940		2356							
54	130,6	1064		1318		1555		1787		2014		2446							
56	135,4	1103		1366		1613		1854		2089		2537							
58	140,2	1143		1415		1670		1920		2163		2627							
60	145,0	1182		1464		1728		1986		2238		2718							
66	159,4	1300		1610		1901		2185		2462		2990							
70	169,0	1379		1708		2016		2317		2611		3171							
76	183,4	1497		1854		2189		2516		2835		3443							
80	193,0	1576		1952		2304		2648		2984		3624							
86	207,4	1694		2098		2477		2847		3208		3896							
90	217,0	1773		2196		2592		2979		3357		4077							
96	231,4	1891		2342		2765		3178		3581		4349							
100	241,0	1970		2440		2880		3310		3730		4530							
106	255,4	2088		2586		3053		3509		3954		4802							
110	265,0	2167		2684		3168		3641		4103		4983							
116	279,4	2285		2830		3341		3840		4327		5255							

Height		160		180		190		200		210		220		240		250		280	
N° elements	Width (cm)	Watts ΔT 50°C	Price (€)	Watts ΔT 50°C	Price (€)	Watts ΔT 50°C	Price (€)	Watts ΔT 50°C	Price (€)	Watts ΔT 50°C	Price (€)	Watts ΔT 50°C	Price (€)	Watts ΔT 50°C	Price (€)	Watts ΔT 50°C	Price (€)	Watts ΔT 50°C	Price (€)
6	15,4	402		440		472		496		516		536		578		593		643	
8	20,2	536		587		630		661		688		715		771		790		858	
10	25,0	670		734		787		826		860		894		964		988		1072	
12	29,8	804		881		944		991		1032		1073		1157		1186		1286	
14	34,6	938		1028		1102		1156		1204		1252		1350		1383		1501	
16	39,4	1072		1174		1259		1322		1376		1430		1542		1581		1715	
18	44,2	1206		1321		1417		1487		1548		1609		1735		1778		1930	
20	49,0	1340		1468		1574		1652		1720		1788		1928		1976		2144	
22	53,8	1474		1615		1731		1817		1892		1967		2121		2174		2358	
24	58,6	1608		1762		1889		1982		2064		2146		2314		2371		2573	
26	63,4	1742		1908		2046		2148		2236		2324		2506		2569		2787	
28	68,2	1876		2055		2204		2313		2408		2503		2699		2766		3002	
30	73,0	2010		2202		2361		2478		2580		2682		2892		2964		3216	
32	77,8	2144		2349		2518		2643		2752		2861		3085		3162		3430	
34	82,6	2278		2496		2676		2808		2924		3040		3278		3359		3645	
36	87,4	2412		2642		2833		2974		3096		3218		3470		3557		3859	
38	92,2	2546		2789		2991		3139		3268		3397		3663		3754		4074	
40	97,0	2680		2936		3148		3304		3440		3576		3856		3952		4288	
42	101,8	2814		3083		3305		3469											
44	106,6	2948		3230		3463		3634											
46	111,4	3082		3376		3620		3800											
48	116,2	3216		3523		3778		3965											
50	121,0	3350		3670		3935		4130											

CO 14 HORIZONTAL SINGLE

Radiator composed of 14mm diameter horizontal steel elements fusion welded with 34 mm diameter manifolds

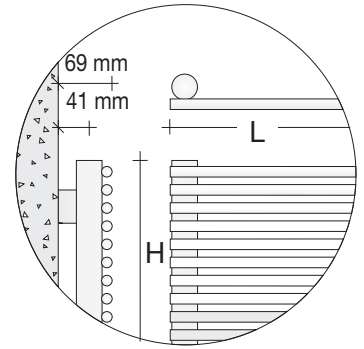


ORDER EXAMPLE

To correctly order this model follow the example specified below:

PRODUCT	CO14#200 018 0B1 ST 9010
CO14#200 018	Article code composed of Model, Width (200) and Number of elements (018)
0B1	Connector code found in the table here below
ST	Standard Support code found in the table here below
9010	Colour code found in the TUBES COLOUR CHART
ACCESSORIES	
Z1TLNR#AN R12 9010	Valve and Lockshield - Copper angle 1/2" for copper pipes or multi-layer pipes - White RAL 9010
Z1RAC#R12CRO	12mm diam. copper pipe unions for Valve+Lockshield - chrome finish (2)

For other types of Valves see the table below or those on pages 217 - 218 - 219 - 220.



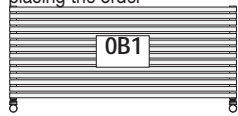
CONNECTORS

The radiators are supplied with "0B1" connectors as shown in the table here below.

If different connectors are required with strictly indicate this in the order. **IMPORTANT:** the connectors of towel warmers and radiators connected to the same system should all have the same configuration otherwise operating problems could occur.

Standard connectors

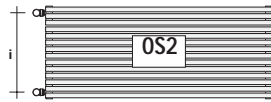
Will be supplied if not otherwise specified when placing the order



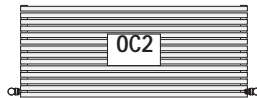
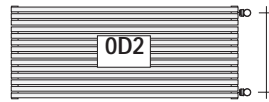
Inter-axis
l=L-3,4 cm

Custom-made connectors

Supplied on request WITH an additional price charge of € (NOT available in chrome-plated version)



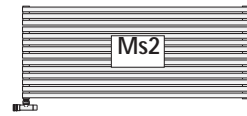
Inter-axis
l=H-5,8 cm



Inter-axis
l=L+13,8 cm

Connectors on request

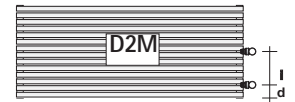
Supplied on request WITHOUT an additional price charge



single pipe

Custom-made connectors

Supplied on request WITH an additional price charge of € (NOT available in chrome-plated version)



Specify "i" and "d"
i min.=5 cm d min.=2 cm

SUPPORTS

The radiators are supplied with standard supports (code ST) that include the wall fixing shelves and the manual vent Valve.

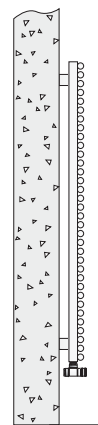
On request they can be ordered with bracket supports that are permanently welded on the towel warmers and therefore must be specified when placing the order, their code and cost are as follows:

code MD	WALL TYPE bracket support on the Right	€
code MS	WALL TYPE bracket support on the Left	€
code SO	CEILING TYPE bracket support	€

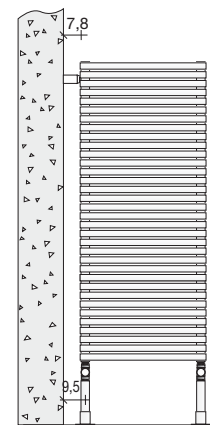
LIMITS

WALL TYPE bracket support	Width max 60.0 cm
CEILING TYPE bracket support	Width max 80.0 cm

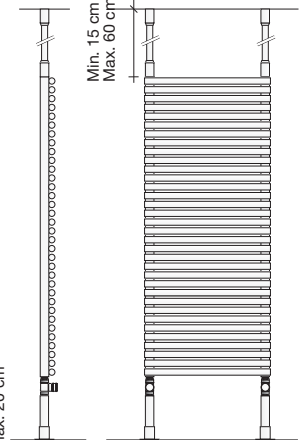
The Chrome plated version cannot be supplied with bracket supports



Standard WALL type support
(ST code)



WALL TYPE bracket support
(MD code wall on right)
(MS code wall on left)



CEILING TYPE bracket support
(SO code)

ADDITIONAL COLOUR CHARGE (see the official Tubes Colour Chart)

Additional colour charges are calculated over the Pure white price (Cat. C0), for the other categories the additional charges herein below are applicable:

Category C1 and C2 +10%

C3 Category +20%

RAL not included in the colour chart +30%

According to samples Request feasibility and cost estimate

Standard VALVES (for Valves and Lockshields, valves that can be fitted with thermostat, Thermostatic valves, or Single pipe, Twin pipe, Stainless steel and thermostatic heads see pages 217 - 218 - 219 - 220)

	code	Description	Price
	Z1TLNR#ANR129010	Valve and Lockshield - ValCOLOR Copper Angle 1/2" RAL 9010 Glossy Pure White	€
	Z1RAC#R12CRO	2 copper unions diam. 12 mm for ValCOLOR Chrome finish Valve+Lockshield	€
	ZRCF2#	Kit with CHROME-PLATED pipe collars	€

CO 14 HORIZONTAL SINGLE

Price per radiator with White RAL 9010 finish and standard connectors - VAT and transport charges excluded



Thermal yield $\Delta T 50^{\circ}C$ - Watts per radiator

For correction factors different to $\Delta T 50^{\circ}C$ see page 230

Width		40		50		60		70		80		100		110		120		150	
N° elements	Height (cm)	Watts $\Delta T 50^{\circ}C$	Price (€)	Watts $\Delta T 50^{\circ}C$	Price (€)	Watts $\Delta T 50^{\circ}C$	Price (€)	Watts $\Delta T 50^{\circ}C$	Price (€)	Watts $\Delta T 50^{\circ}C$	Price (€)	Watts $\Delta T 50^{\circ}C$	Price (€)	Watts $\Delta T 50^{\circ}C$	Price (€)	Watts $\Delta T 50^{\circ}C$	Price (€)	Watts $\Delta T 50^{\circ}C$	Price (€)
6	15,4	76		97		114		133		152		190		210		228		285	
8	20,2	103		129		155		178		205		258		280		308		380	
10	25,0	131		161		197		222		260		329		350		390		475	
12	29,8	159		199		238		278		317		397		437		476		595	
14	34,6	188		235		281		328		375		470		516		563		704	
16	39,4	217		271		322		380		434		543		597		643		804	
18	44,2	246		305		368		430		488		615		672		736		920	
20	49,0	273		342		409		478		547		684		753		818		1022	
22	53,8	302		376		450		528		602		755		828		899		1124	
24	58,6	329		411		491		576		657		824		903		981		1226	
26	63,4	356		445		531		623		712		891		979		1063		1329	
28	68,2	384		455		572		671		728		960		1001		1145		1431	
30	73,0	409		512		614		716		819		1025		1126		1230		1538	
32	77,8	436		546		655		763		873		1092		1201		1312		1641	
34	82,6	462		577		696		808		921		1156		1267		1394		1743	
36	87,4	487		611		737		853		976		1221		1342		1476		1846	
38	92,2	512		641		769		897		1024		1283		1408		1540		1925	
40	97,0	538		675		808		942		1078		1347		1483		1617		2021	
42	101,8	563		704		848		985		1124		1410		1546		1698		2123	
44	106,6	588		737		844		1029		1178		1472		1619		1691		2114	
46	111,4	612		771		883		1071		1231		1532		1693		1768		2210	
48	116,2	636		796		921		1114		1271		1594		1748		1845		2306	
50	121,0	659		825		959		1154		1318		1651		1813		1921		2402	
52	125,8	686		858		998		1201		1371		1718		1885		1998		2498	
54	130,6	710		891		1036		1243		1424		1778		1958		2075		2594	
56	135,4	735		924		1066		1286		1476		1840		2030		2135		2688	
58	140,2	760		949		1104		1330		1517		1902		2085		2211		2764	
60	145,0	785		982		1142		1373		1569		1965		2157		2287		2859	
66	159,4	857		1072		1256		1501		1714		2147		2356		2516		3145	
70	169,0	906		1137		1325		1586		1817		2269		2499		2653		3316	
76	183,4	978		1225		1432		1712		1958		2448		2692		2868		3585	
80	193,0	1025		1281		1507		1794		2047		2566		2815		3019		3773	
86	207,4	1094		1377		1610		1914		2201		2739		3026		3225		4031	
90	217,0	1140		1428		1685		1995		2282		2854		3137		3375		4218	
96	231,4	1208		1512		1784		2114		2416		3024		3323		3573		4466	
100	241,0	1252		1565		1844		2191		2500		3135		3437		3693		4616	
106	255,4	1318		1647		1944		2307		2632		3300		3619		3894		4867	
110	265,0	1361		1702		2010		2383		2719		3409		3738		4025		5031	
116	279,4	1425		1782		2138		2494		2847		3568		3914		4281		5351	

Width		160		180		190		200		210		220		240		250		280	
N° elements	Height (cm)	Watts $\Delta T 50^{\circ}C$	Price (€)	Watts $\Delta T 50^{\circ}C$	Price (€)	Watts $\Delta T 50^{\circ}C$	Price (€)	Watts $\Delta T 50^{\circ}C$	Price (€)	Watts $\Delta T 50^{\circ}C$	Price (€)	Watts $\Delta T 50^{\circ}C$	Price (€)	Watts $\Delta T 50^{\circ}C$	Price (€)	Watts $\Delta T 50^{\circ}C$	Price (€)	Watts $\Delta T 50^{\circ}C$	Price (€)
6	15,4	304		342		361		381		399		418		456		476		533	
8	20,2	411		464		482		514		532		567		616		634		719	
10	25,0	521		590		602		651		665		722		780		793		911	
12	29,8	635		715		754		794		833		873		953		992		1111	
14	34,6	751		845		892		939		985		1033		1127		1174		1314	
16	39,4	868		966		1032		1086		1126		1192		1288		1355		1517	
18	44,2	982		1105		1168		1222		1288		1349		1473		1533		1717	
20	49,0	1093		1227		1299		1370		1431		1500		1636		1706		1910	
22	53,8	1207		1350		1434		1507		1574		1657		1800		1884		2109	
24	58,6	1317		1473		1566		1644		1717		1808		1964		2056		2302	
26	63,4	1424		1595		1693		1781		1860		1959		2127		2227		2494	
28	68,2	1534		1718		1824		1922		2003		2111		2291		2400		2687	
30	73,0	1638		1847		1947		2048		2154		2253		2463		2562		2868	
32	77,8	1744		1970		2074		2185		2297		2400		2627		2729		3055	
34	82,6	1847		2093		2196		2306		2441		2542		2791		2890		3236	
36	87,4	1951		2216		2319		2442		2584		2684		2955		3052		3416	
38	92,2	2050		2312		2437		2563		2695		2821		3082		3207		3590	
40	97,0	2153		2428		2559		2698		2831		2962		3237		3368		3771	
42	101,8	2252		2549		2677		2813		2972		3099		3399		3524		3945	
44	106,6	2352		2538		2796		2947		2960		3236		3385		3679		4119	
46	111,4	2447		2654		2909		3081		3094		3368		3538		3829		4287	
48	116,2	2547		2769		3027		3181		3229		3504		3692		3984		4461	
50	121,0	2639		2884		3137		3299		3363		3631		3846		4128		4622	
52	125,8	2745		3000		3264		3431		3498		3778		4000		4295		4809	
54	130,6	2841		3115		3377		3563		3632		3909		4154		4445		4976	
56	135,4	2941		3205		3495		3695		3737		4046		4273		4600		5150	
58	140,2	3040		3319		3614		3795		3870		4183		4426		4756		5324	
60	145,0	3139		3434		3732		3926		4004		4320		4578		4911		5498	
66	159,4	3430		3777		4077		4288		4404		4720		5036		5366		6008	
70	169,0	3625		3982		4309		4548		4643		4988		5310		5671		6349	
76	183,4	3912		4305		4650		4899		5020		5383		5740		6120		6852	
80	193,0	4100		4532		4874		5123		5284		5641		6043		6414		7181	
86	207,4	4376		4841		5202		5507		5644		6021		6455		6846		7664	
90	217,0	4560		5066		5420		5710		5907		6274		6755		7134		7987	
96	231,4	4832		5364		5744		6047		6254		6649		7152		7560		8464	
100	241,0	5009		5544		5954		6256		6464		6892		7392		7836		8773	
106	255,4	5274		5845		6269		6587		6816		7257		7794		8251		9237	
110	265,0	5447		6042		6475		6804		7045		7495		8056		8521		9540	
116	279,4	5701		6426		6777		7124		7493		7844		8568		8919		9985	

SIZES AVAILABLE ON REQUEST: L.90/130/140/170/230/260/270

CO 14G HORIZONTAL CHROME-PLATED

Radiator composed of 14mm diameter horizontal steel elements fusion welded with 34 mm diameter manifolds

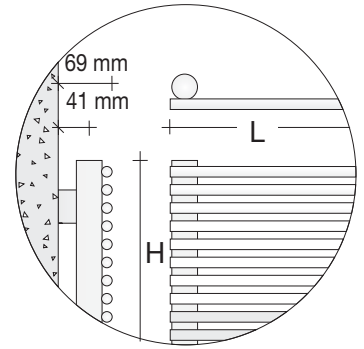


ORDER EXAMPLE

To correctly order this model follow the example specified below:

PRODUCT	CO14G#200 018 0B1 ST CRO
CO14G#200 018	Article code composed of Model, Width (200) and Number of elements (018)
0B1	Connector code found in the table here below
ST	Standard Support code found in the table here below
CRO	Finish code found in the Tubes Colour Chart
ACCESSORIES	
Z1TLNRG#AN R12 CRO	Valve and Lockshield - Copper angle 1/2" for copper pipes or multi-layer pipes - CHROME
Z1RAC#R12CRO	12mm diam. copper pipe unions for Valve+Lockshield – chrome finish (2)

For other types of Valves see the table below or those on pages 217 - 218 - 219 - 220.



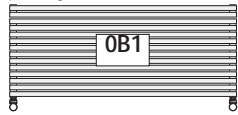
CONNECTORS

The radiators are supplied with "0B1" connectors as shown in the table here below.

If different connectors are required with strictly indicate this in the order. **IMPORTANT:** the connectors of towel warmers and radiators connected to the same system should all have the same configuration otherwise operating problems could occur.

Standard connectors

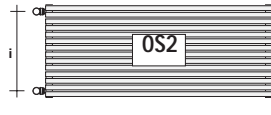
Will be supplied if not otherwise specified when placing the order



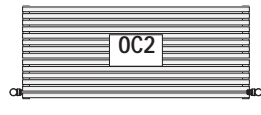
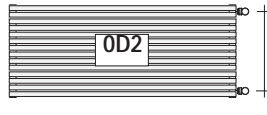
Inter-axis
l=L-3,4 cm

Custom-made connectors

Supplied on request WITH an additional price charge of €



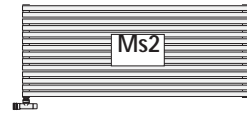
Inter-axis
l=H-5,8 cm



Inter-axis
l=L+13,8 cm

Connectors on request

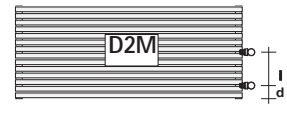
Supplied on request WITHOUT an additional price charge



single pipe

Custom-made connectors

Supplied on request WITH an additional price charge of € (NOT available in chrome-plated version)

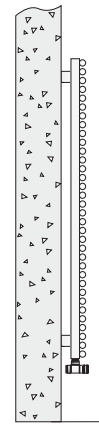


Specify "i" and "d"
i min.=5 cm d min.=2 cm

SUPPORTS

The radiators are supplied with standard supports (code ST) that include the wall fixing shelves and the manual vent Valve.

The Chrome plated version cannot be supplied with bracket supports



Standard WALL type support
(ST code)

ADDITIONAL CHARGES FOR FINISHES (see the official Tubes Colour Chart)

Additional colour/finish charges are calculated over the Pure white (Category C0) price for coloured finishes, and over the Chrome (Category G0) price for plated finishes.

FINISHES

G1 Category	Without an additional price charge (NIS code)
G5 (14kt Gold) Category	+50%
G6 (24kt Gold) Category	+60%

Standard VALVES (for Valves and Lockshields, valves that can be fitted with thermostat, Thermostatic valves, or Single pipe, Twin pipe, Stainless steel and thermostatic heads see pages 217 - 218 - 219 - 220)

	code	Description	Price
	Z1TLNRG#ANR12CRO	Valve and Lockshield - ValCOLOR Copper Angle 1/2" Glossy CHROME	€
	Z1RAC#R12CRO	2 copper unions diam. 12 mm for ValCOLOR Chrome finish Valve+Lockshield	€
	ZRCF2#	Kit with CHROME-PLATED pipe collars	€

CO 14G HORIZONTAL CHROME-PLATED*

Price per radiator with Chrome finish and standard connectors - VAT and transport excluded



Thermal yield ΔT 50°C - Watts per radiator

Width		40		50		60		70		80		90		100		110	
N° elements	Height (cm)	Watts ΔT 50°C	Price (€)	Watts ΔT 50°C	Price (€)	Watts ΔT 50°C	Price (€)	Watts ΔT 50°C	Price (€)	Watts ΔT 50°C	Price (€)	Watts ΔT 50°C	Price (€)	Watts ΔT 50°C	Price (€)	Watts ΔT 50°C	Price (€)
6	15,4	70		87		105		123		140		157		175		193	
8	20,2	95		118		142		166		190		213		237		261	
10	25,0	120		151		181		211		241		271		301		332	
12	29,8	146		183		219		256		292		328		366		402	
14	34,6	173		216		259		302		345		388		432		475	
16	39,4	200		250		299		349		399		448		498		548	
18	44,2	226		282		338		395		451		508		564		620	
20	49,0	251		315		377		440		503		566		629		692	
22	53,8	278		347		416		486		555		624		694		763	
24	58,6	303		378		454		530		606		681		757		833	
26	63,4	327		410		492		574		655		737		819		901	
28	68,2	353		441		529		617		705		793		882		970	
30	73,0	377		471		565		659		753		848		942		1036	

Width		120		140		150		160		170		180		190		200	
N° elements	Height (cm)	Watts ΔT 50°C	Price (€)	Watts ΔT 50°C	Price (€)	Watts ΔT 50°C	Price (€)	Watts ΔT 50°C	Price (€)	Watts ΔT 50°C	Price (€)	Watts ΔT 50°C	Price (€)	Watts ΔT 50°C	Price (€)	Watts ΔT 50°C	Price (€)
6	15,4	210		245		262		280		298		315		333		350	
8	20,2	284		332		356		380		404		427		451		475	
10	25,0	361		421		452		482		512		542		572		602	
12	29,8	438		511		547		584		621		657		694		730	
14	34,6	518		604		647		690		734		778		821		864	
16	39,4	598		698		748		797		847		897		947		997	
18	44,2	677		789		846		903		959		1015		1072		1129	
20	49,0	755		881		943		1006		1070		1132		1195		1258	
22	53,8	833		971		1041		1110		1180		1249		1318		1388	
24	58,6	909		1059		1136		1211		1287		1362		1439		1514	
26	63,4	983		1147		1229		1311		1393		1475		1556		1638	
28	68,2	1058		1234		1322		1411		1499		1587		1675		1763	
30	73,0	1131		1318		1507		1601		1695		1790		1884		1978	

SIZES AVAILABLE ON REQUEST: L.130

* Additional charge for the new galvanic finishings Black Nichel and Tin Glossy +10% on the Chrome version. The same additional charge is valid for the valves too.

CO 14D HORIZONTAL DOUBLE

Radiator composed of 14mm diameter horizontal steel elements fusion welded with 34 mm diameter manifolds

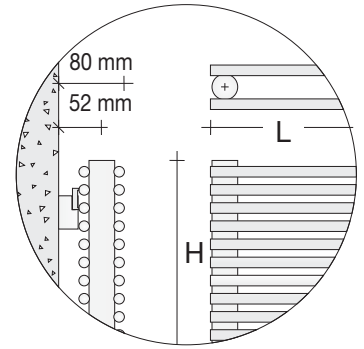


ORDER EXAMPLE

To correctly order this model follow the example specified below:

PRODUCT	CO14D#200 018 0B1 ST 9010
CO14D#200 018	Article code composed of Model, Width (200) and Number of elements (018)
0B1	Connector code found in the table here below
ST	Standard Support code found in the table here below
9010	Colour code found in the TUBES COLOUR CHART
ACCESSORIES	
Z1TLNR#AN R12 9010	Valve and Lockshield - Copper angle 1/2" for copper pipes or multi-layer pipes - White RAL 9010
Z1RAC#R12CRO	12mm diam. copper pipe unions for Valve+Lockshield – chrome finish (2)

For other types of Valves see the table below or those on pages 217 - 218 - 219 - 220.



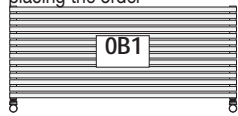
CONNECTORS

The radiators are supplied with "0B1" connectors as shown in the table here below.

If different connectors are required with strictly indicate this in the order. **IMPORTANT:** the connectors of towel warmers and radiators connected to the same system should all have the same configuration otherwise operating problems could occur.

Standard connectors

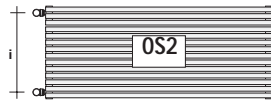
Will be supplied if not otherwise specified when placing the order



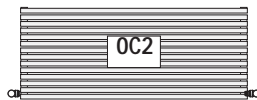
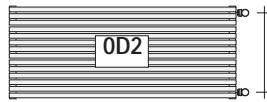
Inter-axis
l=L-3,4 cm

Custom-made connectors

Supplied on request WITH an additional price charge of € (NOT available in chrome-plated version)



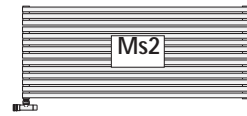
Inter-axis
l=H-5,8 cm



Inter-axis
l=L+13,8 cm

Connectors on request

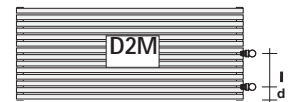
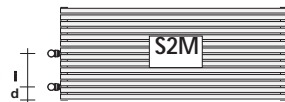
Supplied on request WITHOUT an additional price charge



single pipe

Custom-made connectors

Supplied on request WITH an additional price charge of € (NOT available in chrome-plated version)



Specify "i" and "d"
i min.=5 cm d min.=2 cm

SUPPORTS

The radiators are supplied with standard supports (code ST) that include the wall fixing shelves and the manual vent Valve.

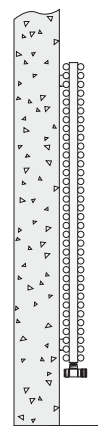
On request they can be ordered with bracket supports that are permanently welded on the towel warmers and therefore must be specified when placing the order, their code and cost are as follows:

code MD	WALL TYPE bracket support on the Right	€
code MS	WALL TYPE bracket support on the Left	€
code SO	CEILING TYPE bracket support	€

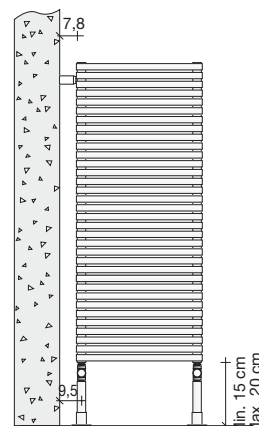
LIMITS

WALL TYPE bracket support	Width max 40.0 cm
CEILING TYPE bracket support	Width max 60.0 cm

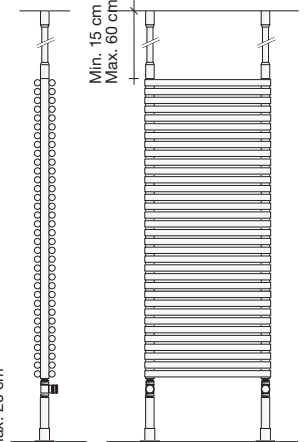
The Chrome plated version cannot be supplied with bracket supports



Standard WALL type support (ST code)



WALL TYPE bracket support (MD code wall on right) (MS code wall on left)



CEILING TYPE bracket support (SO code)

ADDITIONAL COLOUR CHARGE (see the official Tubes Colour Chart)

Additional colour charges are calculated over the Pure white price (Cat. C0), for the other categories the additional charges herein below are applicable:

Category C1 and C2 +10%

C3 Category +20%

RAL not included in the colour chart +30%

According to samples Request feasibility and cost estimate

Standard VALVES (for Valves and Lockshields, valves that can be fitted with thermostat, Thermostatic valves, or Single pipe, Twin pipe, Stainless steel and thermostatic heads see pages 217 - 218 - 219 - 220)

	code	Description	Price
	Z1TLNR#ANR129010	Valve and Lockshield - ValCOLOR Copper Angle 1/2" RAL 9010 Glossy Pure White	€
	Z1RAC#R12CRO	2 copper unions diam. 12 mm for ValCOLOR Chrome finish Valve+Lockshield	€
	ZRCF2#	Kit with CHROME-PLATED pipe collars	€

CO 14D HORIZONTAL DOUBLE

Price per radiator with White RAL 9010 finish and standard connectors - VAT and transport charges excluded



Thermal yield ΔT 50°C - Watts per radiator

For correction factors different to ΔT 50°C see page 230

Width		40		50		60		70		80		100		110		120		150	
N° elements	Height (cm)	Watts ΔT 50°C	Price (€)	Watts ΔT 50°C	Price (€)	Watts ΔT 50°C	Price (€)	Watts ΔT 50°C	Price (€)	Watts ΔT 50°C	Price (€)	Watts ΔT 50°C	Price (€)	Watts ΔT 50°C	Price (€)	Watts ΔT 50°C	Price (€)	Watts ΔT 50°C	Price (€)
6	15,4	143		178		213		249		285		356		392		428		534	
8	20,2	190		238		285		332		381		475		522		571		713	
10	25,0	235		294		353		412		471		589		648		706		883	
12	29,8	280		350		418		489		559		700		769		837		1047	
14	34,6	324		404		485		567		646		810		889		969		1212	
16	39,4	367		458		554		642		733		918		1008		1108		1386	
18	44,2	409		515		613		716		824		1024		1134		1227		1534	
20	49,0	452		564		682		790		902		1130		1241		1363		1705	
22	53,8	492		615		739		861		985		1231		1354		1477		1847	
24	58,6	533		667		799		934		1067		1335		1468		1599		1999	
26	63,4	573		716		859		1003		1146		1434		1577		1718		2149	
28	68,2	612		765		918		1070		1224		1530		1684		1836		2296	
30	73,0	650		813		975		1138		1301		1627		1789		1950		2439	
32	77,8	688		860		1032		1204		1376		1721		1893		2064		2581	
34	82,6	725		906		1088		1268		1450		1814		1994		2176		2722	
36	87,4	762		952		1142		1333		1523		1906		2095		2285		2857	
38	92,2	797		997		1196		1396		1595		1995		2194		2391		2991	
40	97,0	832		1040		1249		1457		1664		2083		2289		2498		3124	
42	101,8	866		1083		1301		1516		1734		2168		2384		2601		3253	
44	106,6	900		1125		1350		1576		1800		2253		2476		2700		3377	
46	111,4	933		1166		1399		1632		1866		2334		2567		2798		3499	
48	116,2	966		1207		1448		1690		1931		2416		2656		2895		3621	
50	121,0	995		1244		1493		1742		1990		2490		2737		2986		3734	
52	125,8	1029		1287		1544		1801		2059		2575							
54	130,6	1064		1330		1596		1862		2128		2663							
56	135,4	1098		1373		1647		1922		2197		2748							
58	140,2	1132		1415		1698		1981		2263		2833							
60	145,0	1165		1457		1748		2039		2331		2916							
66	159,4	1266		1589		1898		2215		2542		3167							
70	169,0	1331		1664		1996		2329		2662		3330							
76	183,4	1427		1783		2140		2496		2853		3569							
80	193,0	1489		1861		2233		2606		2977		3726							
86	207,4	1579		1974		2368		2764		3158		3952							
90	217,0	1637		2046		2456		2865		3274		4096							
96	231,4	1724		2154		2585		3016		3447		4313							
100	241,0	1780		2225		2669		3115		3560		4453							
106	255,4	1863		2329		2794		3261		3726		4663							
110	265,0	1920		2400		2879		3359		3839		4803							
116	279,4	2005		2506		3008		3509		4010		5017							

Width		160		180		190		200		210		220		240		250		280	
N° elements	Height (cm)	Watts ΔT 50°C	Price (€)	Watts ΔT 50°C	Price (€)	Watts ΔT 50°C	Price (€)	Watts ΔT 50°C	Price (€)	Watts ΔT 50°C	Price (€)	Watts ΔT 50°C	Price (€)	Watts ΔT 50°C	Price (€)	Watts ΔT 50°C	Price (€)	Watts ΔT 50°C	Price (€)
6	15,4	570		641		677		713		749		784		855		891		998	
8	20,2	762		855		903		952		998		1045		1142		1188		1333	
10	25,0	942		1061		1119		1177		1235		1297		1413		1470		1648	
12	29,8	1118		1257		1329		1398		1463		1540		1674		1746		1957	
14	34,6	1295		1456		1539		1615		1695		1783		1939		2021		2266	
16	39,4	1468		1664		1744		1832		1937		2022		2216		2291		2569	
18	44,2	1637		1843		1945		2061		2145		2255		2454		2555		2865	
20	49,0	1806		2048		2146		2255		2383		2488		2727		2820		3161	
22	53,8	1968		2219		2339		2461		2582		2711		2954		3072		3445	
24	58,6	2134		2401		2535		2667		2795		2939		3197		3331		3734	
26	63,4	2292		2581		2723		2866		3004		3157		3436		3578		4011	
28	68,2	2447		2758		2907		3061		3210		3369		3672		3819		4282	
30	73,0	2601		2929		3091		3252		3409		3582		3900		4060		4552	
32	77,8	2752		3100		3270		3440		3608		3790		4128		4295		4816	
34	82,6	2899		3269		3445		3624		3805		3993		4352		4525		5073	
36	87,4	3046		3432		3620		3808		3994		4195		4569		4755		5331	
38	92,2	3190		3592		3790		3988		4181		4393		4783		4979		5582	
40	97,0	3330		3753		3956		4161		4367		4585		4996		5197		5827	
42	101,8	3466		3907		4118		4334											
44	106,6	3602		4056		4280		4500											
46	111,4	3731		4203		4433		4665											
48	116,2	3863		4349		4590		4827											
50	121,0	3981		4485		4730		4974											

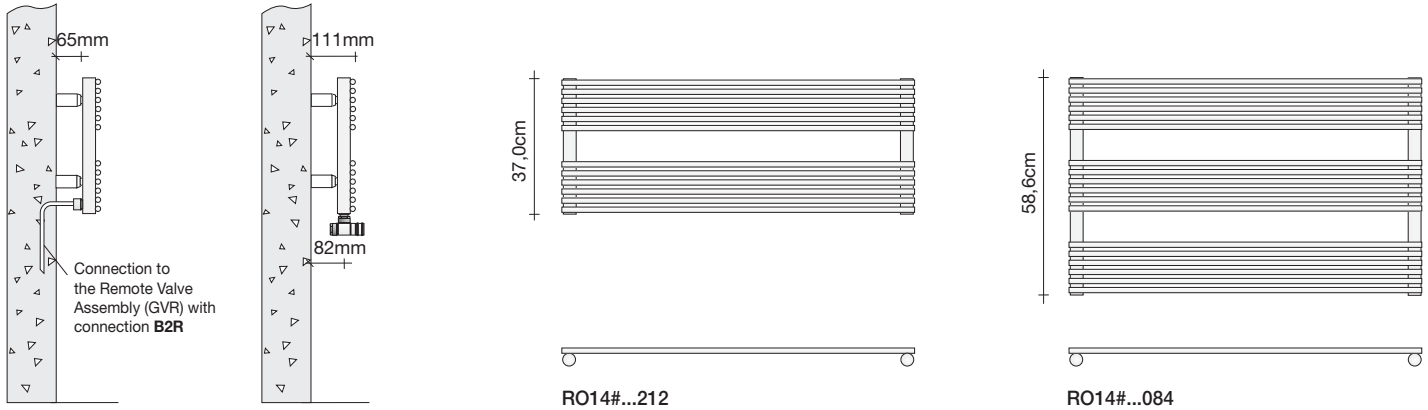
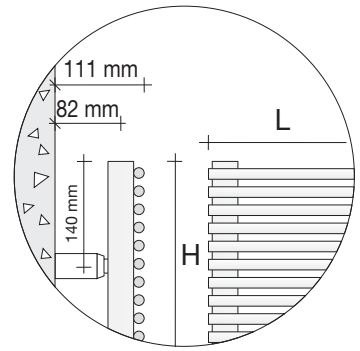
SIZES AVAILABLE ON REQUEST: L.90/130/140/170/230/260/270

ORDER EXAMPLE

To correctly order this model follow the example specified below:

PRODUCT	RO14#120 024 0B1 ST 9010 043
RO14#120 024	Article code composed of Model, Width (120) and Number of elements (024)
0B1	Connector code found in the table here below
ST	Standard Support code found in the table here below
9010	Colour code found in the TUBES COLOUR CHART
043	Sequence code found in the table on the side
ACCESSORIES	
Z1TLNR#AN R12 9010	Valve and Lockshield - Copper angle 1/2" for copper pipes or multi-layer pipes - White RAL 9010
Z1RAC#R12CRO	12mm diam. copper pipe unions for Valve+Lockshield – chrome finish (2)

For other types of Valves see the table below or those on pages 217 - 218 - 219 - 220.



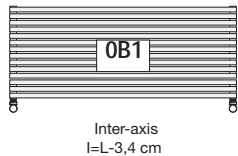
CONNECTORS

The radiators are supplied with "0B1" connectors as shown in the table here below.

If different connectors are required with strictly indicate this in the order. **IMPORTANT:** the connectors of towel warmers and radiators connected to the same system should all have the same configuration otherwise operating problems could occur.

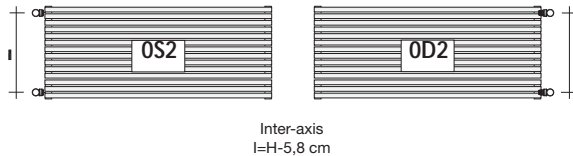
Standard connectors

Will be supplied if not otherwise specified when placing the order



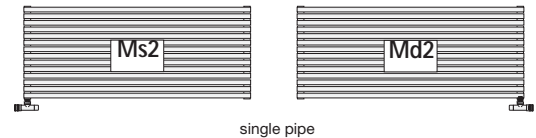
Custom-made connectors

Supplied on request WITH an additional price charge of € (NOT available in chrome-plated version)



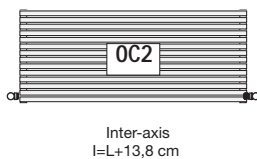
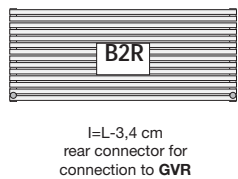
Connectors on request

Supplied on request WITHOUT an additional price charge



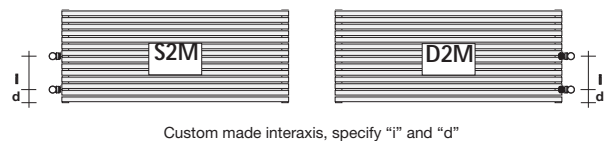
Rear connector

Supplied on request WITH an additional price charge of €



Custom-made connectors

Supplied on request WITH an additional price charge of € (NOT available in chrome-plated version)



Standard VALVES (for Valves and Lockshields, valves that can be fitted with thermostat, Thermostatic valves, or Single pipe, Twin pipe, Stainless steel and thermostatic heads see pages 217 - 218 - 219 - 220)

	code	Description	Price
	Z1TLNR#ANR129010	Valve and Lockshield - ValCOLOR Copper Angle 1/2" RAL 9010 Glossy Pure White	€
	Z1RAC#R12CRO	2 copper unions diam. 12 mm for ValCOLOR Chrome finish Valve+Lockshield	€
	ZRCF#	Kit with pipe collars for towel warmers	€

	code	Description	Price
	GVR#	Valve and Lockshield assembly for recessed remote connection, CHROME finish	€
	GVRC#	Valve and Lockshield assembly for recessed remote connection, COLOUR finish	€

RITMATO RO14 STANDARD

Price per radiator with White RAL 9010 finish and standard connectors - VAT and transport charges excluded



Thermal yield $\Delta T 50^{\circ}\text{C}$ - Watts per radiator
 For correction factors different to $\Delta T 50^{\circ}\text{C}$ see page 230

Width (cm)	Height (cm)	Coloured version			Chrome plated version		
		Thermal yield (Watts)	Category C0 (€)	Category C1 (€)	Category C3 (€)	Thermal yield (Watts)	Chrome plated G0* (€)
100,0	37,0	397				366	
120,0	37,0	476				438	
140,0	37,0	556				511	
160,0	37,0	635				584	

Width (cm)	Height (cm)	Coloured version			Chrome plated version		
		Thermal yield (Watts)	Category C0 (€)	Category C1 (€)	Category C3 (€)	Thermal yield (Watts)	Chrome plated G0* (€)
100,0	58,6	615				564	
120,0	58,6	736				677	
140,0	58,6	854				789	
160,0	58,6	982				903	

* Additional charge for the new galvanic finishings Black Nichel and Tin Glossy +10% on the Chrome version. The same additional charge is valid for the valves too.

