



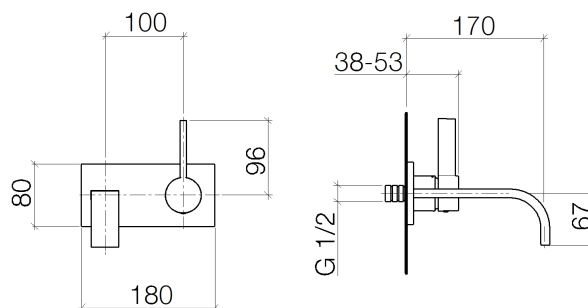
Product specifications

Exposed trim parts

- **170 mm projection**
- fixed spout 1/2"
- Aerator 32 x 8
- Max. flow 6 l/min
- lead-free
- cover plate 180 x 80 mm

Surfaces

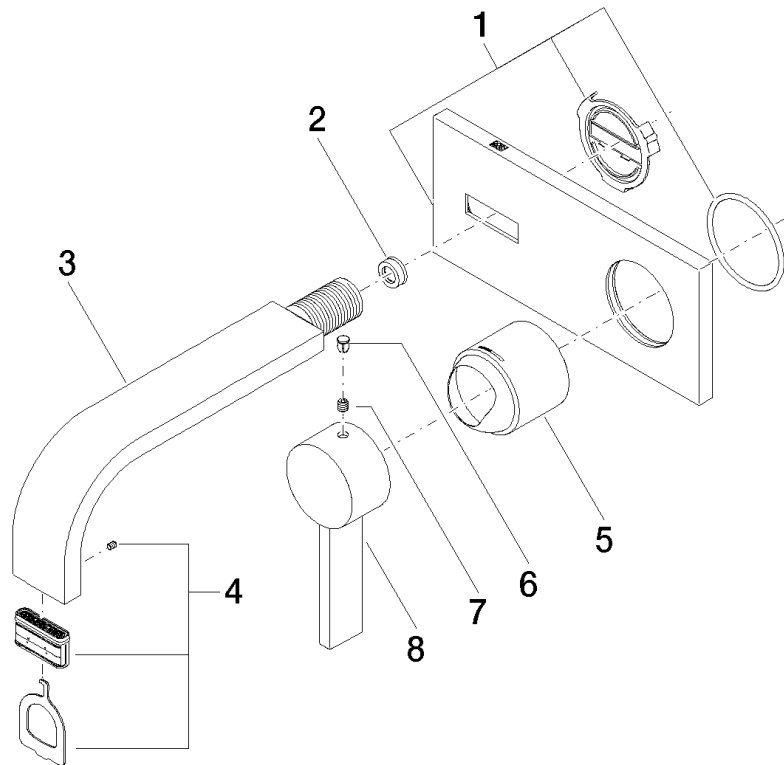
- | | |
|-----------------|-------------|
| • chrome | 36820782-00 |
| • platinum matt | 36820782-06 |
| • platinum | 36820782-08 |
| • Cyprum | 36820782-49 |



Accessories required

- Concealed body, mixer on right; 3580697090
- Wall-mounted mixer, mixer on right; 3581697090

Exploded assembly drawing



Order quantity

No.	Article number	Name	Installation quantity
1	90110118600ff	plate	1
2	09230107990	flow reducer	1
3	04282215010ff	spout	1
4	9029030450090	aerator	1
5	091102287ff	cover	1
6	09312001790	plug	1
7	09311103090	pin	1
8	092078058ff	handle	1

Flow rate chart

