

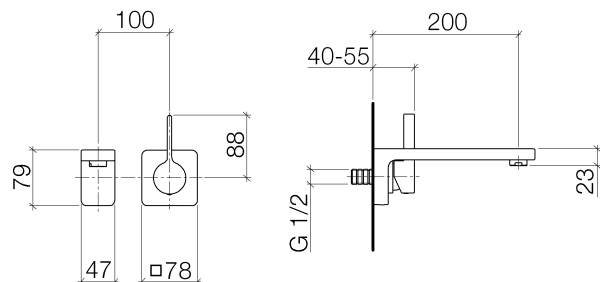


Product specifications

Exposed trim parts

- **200 mm projection**
- fixed spout 1/2"
- M 24 x 1 aerator – male thread
- Max. flow 7 l/min
- lead-free
- rosette for mixer 78 x 78 mm
- spout height 78 mm x width 47 mm

Mixer can be placed to the right or to the left of the spout.



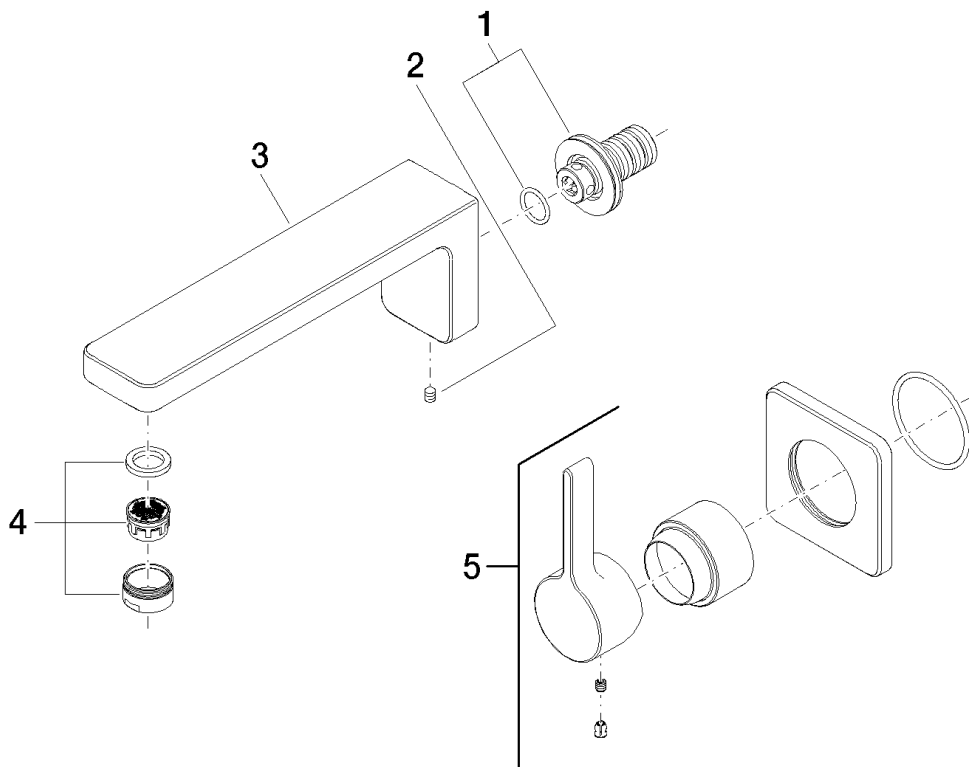
Surfaces

- chrome 36812710-00
- platinum matt 36812710-06

Accessories required

- Wall-mounted single-lever basin mixer, mixer on right; 3580697090
- Wall-mounted single-lever basin mixer mixer on left; 3580797090

Exploded assembly drawing





Order quantity

No.	Article number	Name	Installation quantity
1	9024031080090	nipple set	1
2	09311100490	pin	1
3	09117109010ff	spout	1
4	90230111801ff	aerator	1
5	36008710ff	connection	1

Flow rate chart

