



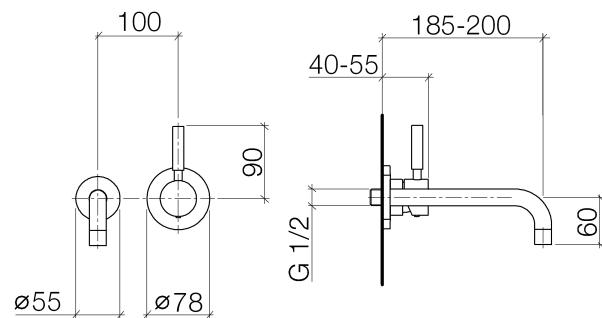
### Product specifications

#### Exposed trim parts

- **200 mm projection**
- fixed spout 1/2"
- M 18 x 1 aerator – female thread
- Max. flow 7 l/min
- lead-free
- rosette for mixer  $\varnothing$  78 mm
- rosette for spout  $\varnothing$  55 mm

Mixer can be placed above, to the right or to the left of the spout.

Rectangular cover plate (12 650 970-FF) available separately. For details see page 12650970





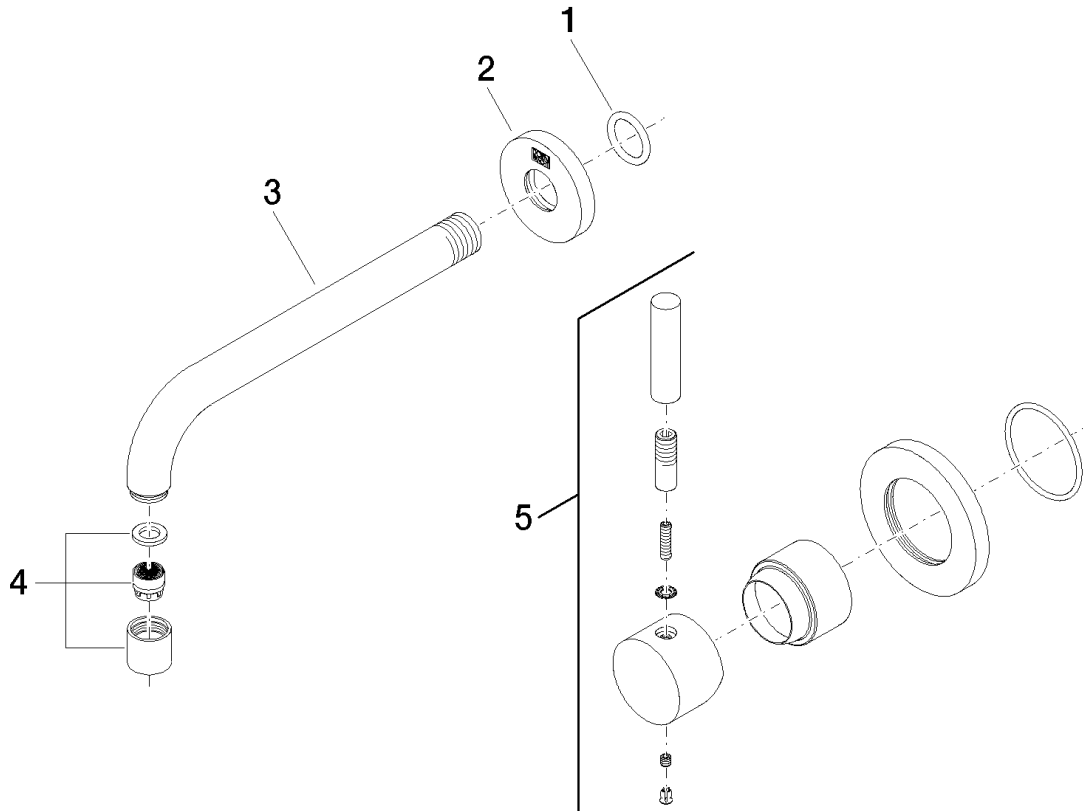
**Surfaces**

- chrome 36812625-00
- platinum matt 36812625-06

**Accessories required**

- Wall-mounted single-lever basin mixer, mixer on right; 3580697090
- Wall-mounted single-lever basin mixer mixer on left; 3580797090
- Concealed body; 3580897090
- Concealed body, mixer on right; 3581697090

**Exploded assembly drawing**





**Order quantity**

<b>No.</b>	<b>Article number</b>	<b>Name</b>	<b>Installation quantity</b>
<b>1</b>	09141002690	seal	1
<b>2</b>	092722503ff	rosette	1
<b>3</b>	04282211610ff	spout	1
<b>4</b>	90230101900ff	aerator	1
<b>5</b>	36008625ff	connection	1

**Flow rate chart**

