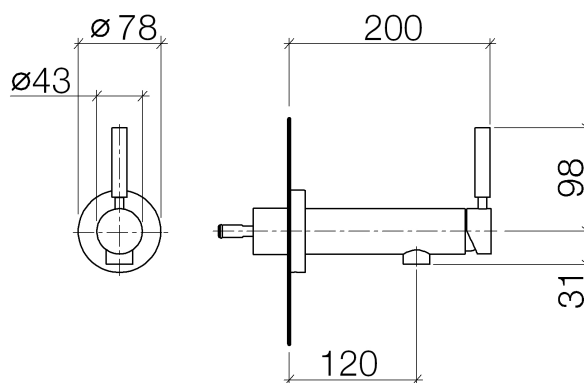




### Product specifications

#### Exposed trim parts

- total fitting projection 190 mm
- **120 mm projection**
- M 22 x 1 aerator – female thread
- cartridge with ceramic discs
- Max. flow 7 l/min
- lead-free
- rosette  $\varnothing$  78 mm



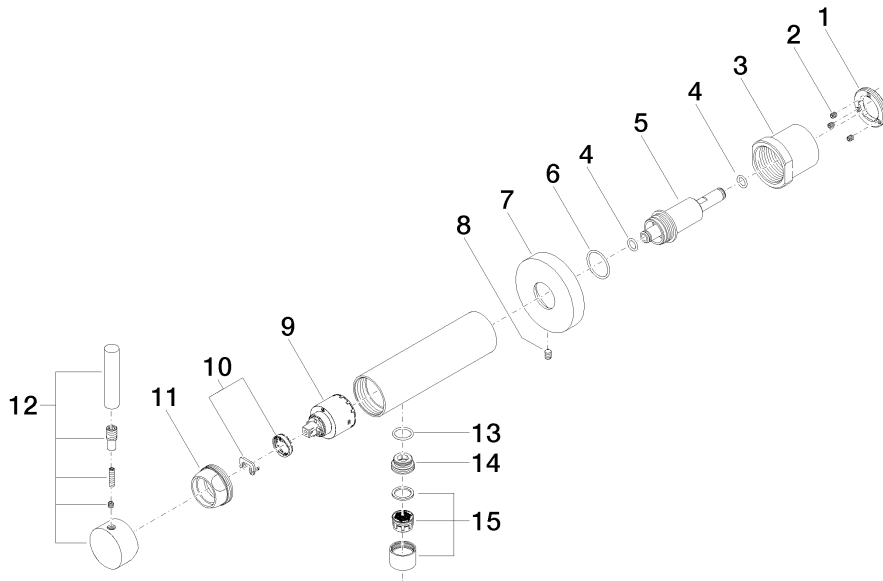
### Surfaces

- chrome 36803885-00
- platinum matt 36803885-06

### Accessories required

- Concealed body; 3500397090

**Exploded assembly drawing**



**Order quantity**

<b>No.</b>	<b>Article number</b>	<b>Name</b>	<b>Installation quantity</b>
1	09247700290	nut	1
2	09311103090	pin	1
3	09210212890	sleeve	1
4	09141013990	seal	2
5	0924042101090	nipple	1
6	09141006390	seal	1
7	092788009ff	rosette	1
8	09311104790	pin	1
9	09150506190	cartridge	1
10	0428101480090	accessories	1
11	092404107ff	nut	1
12	90208804600ff	handle	1
13	09141004790	seal	1
14	0924041521090	nipple	1
15	90230102404ff	aerator	1

**Flow rate chart**

