

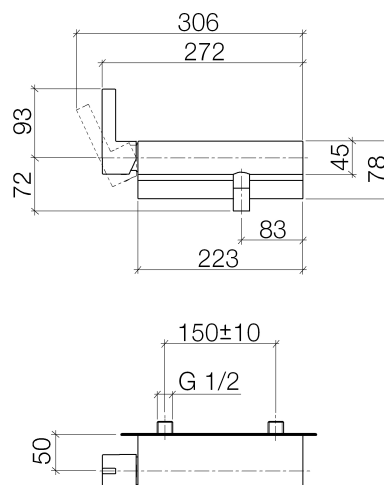


Product specifications

- cartridge with ceramic discs
- 3/8" shower outlet
- gauge 150 mm
- integrated strainer waste connection (with noise suppression)

Intrinsic protection against back flow.

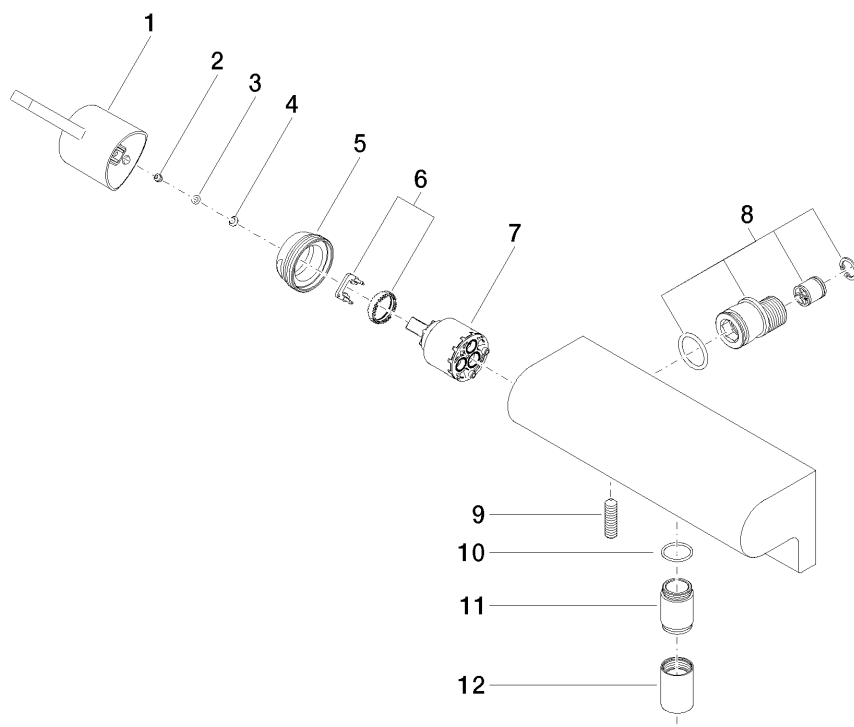
For 1/2" shower hoses, please order adapter 12 202 979-FF.



Surfaces

- chrome 33300670-00
- platinum matt 33300670-06

Exploded assembly drawing



Order quantity

No.	Article number	Name	Installation quantity
1	092067004ff	handle	1
2	09311103090	pin	1
3	09141013390	seal	1
4	093120087ff	plug	1
5	092404141ff	nut	1
6	0428101480090	accessories	1
7	09150506290	cartridge	1
8	9011040420090	connection	1
9	09311114590	pin	1
10	09141003290	seal	1
11	092403115ff	nipple	1
12	092102069ff	cover	1

Flow rate chart

