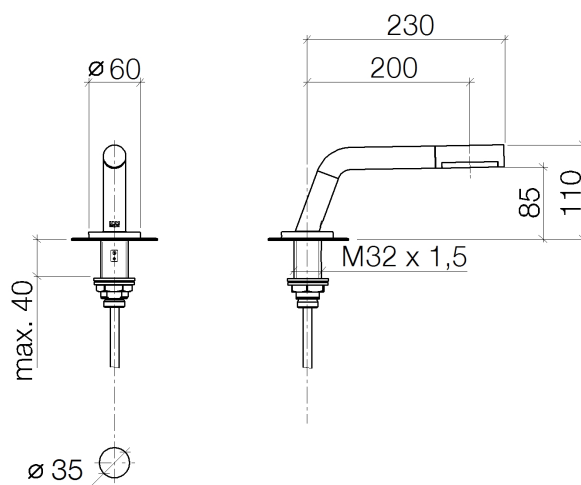




Product specifications

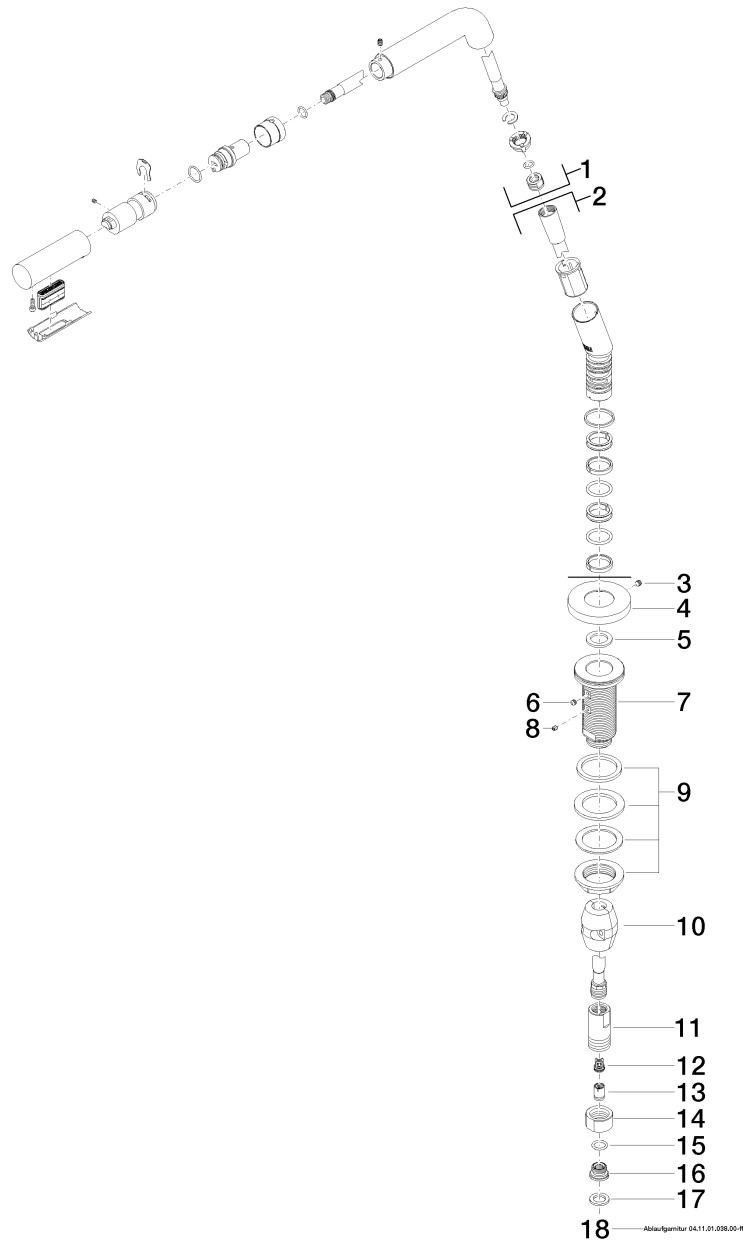
- **200 mm projection**
- pivotable spout 160°
- with aerator
- Hose length 1500 mm
- height of mixer 110 mm
- height up to aerator 85 mm
- hole diameter 35 mm
- 1 1/4" pop-up waste
- Max. flow 7.6 l/min
- lead-free
- Rosette Ø 60 mm



Surfaces

- | | |
|-----------------|-------------|
| • chrome | 27720971-00 |
| • platinum matt | 27720971-06 |

Exploded assembly drawing



Order quantity

| No. | Article number | Name | Installation quantity |
|------------|-----------------------|---------------------|------------------------------|
| 1 | 90282226100ff | spout | 1 |
| 2 | 90282226000ff | spout | 1 |
| 3 | 09311111290 | pin | 1 |
| 4 | 092722042ff | rosette | 1 |
| 5 | 09141506590 | seal | 1 |
| 6 | 09311106390 | pin | 1 |
| 7 | 093001196ff | connection | 1 |
| 8 | 09311109990 | pin | 1 |
| 9 | 0430110386890 | fixing set | 1 |
| 10 | 0421500050090 | accessories | 1 |
| 11 | 09240324190 | nipple | 1 |
| 12 | 09230113190 | back-flow preventer | 1 |
| 13 | 09230109690 | back-flow preventer | 1 |
| 14 | 09233006690 | nut | 1 |
| 15 | 09141000390 | seal | 1 |
| 16 | 0929050201090 | nipple | 1 |
| 17 | 09142000290 | seal | 1 |
| 18 | 10125970ff | pop-up waste | 1 |

Flow rate chart

