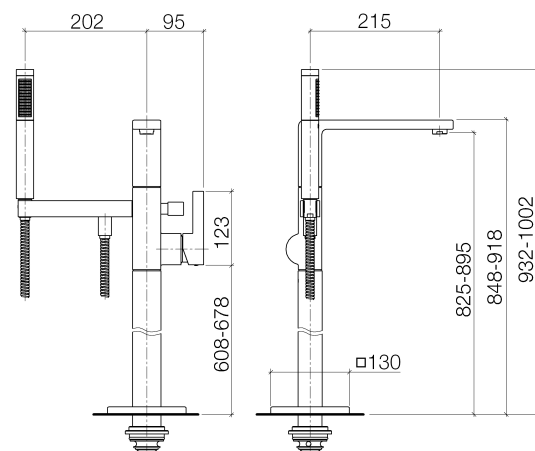


Product specifications

- **215 mm projection**
 - M 24 x 1 aerator – male thread
 - back flow preventer in shower outlet
 - bath/shower diverter
 - bar-type hand shower with anti-scale system and back flow preventer
 - 3/8" x 1/2" x 1250 mm shower hose with turning cone
 - stand pipe with fastening flange, screw rosette 130 x 130 mm
 - height of mixer 850 – 920 mm
 - stand pipe height 740 – 810 mm
 - height up to aerator 825 – 895 mm
 - Max. hand shower flow 7.6 l/min
- Intrinsic protection against back flow.





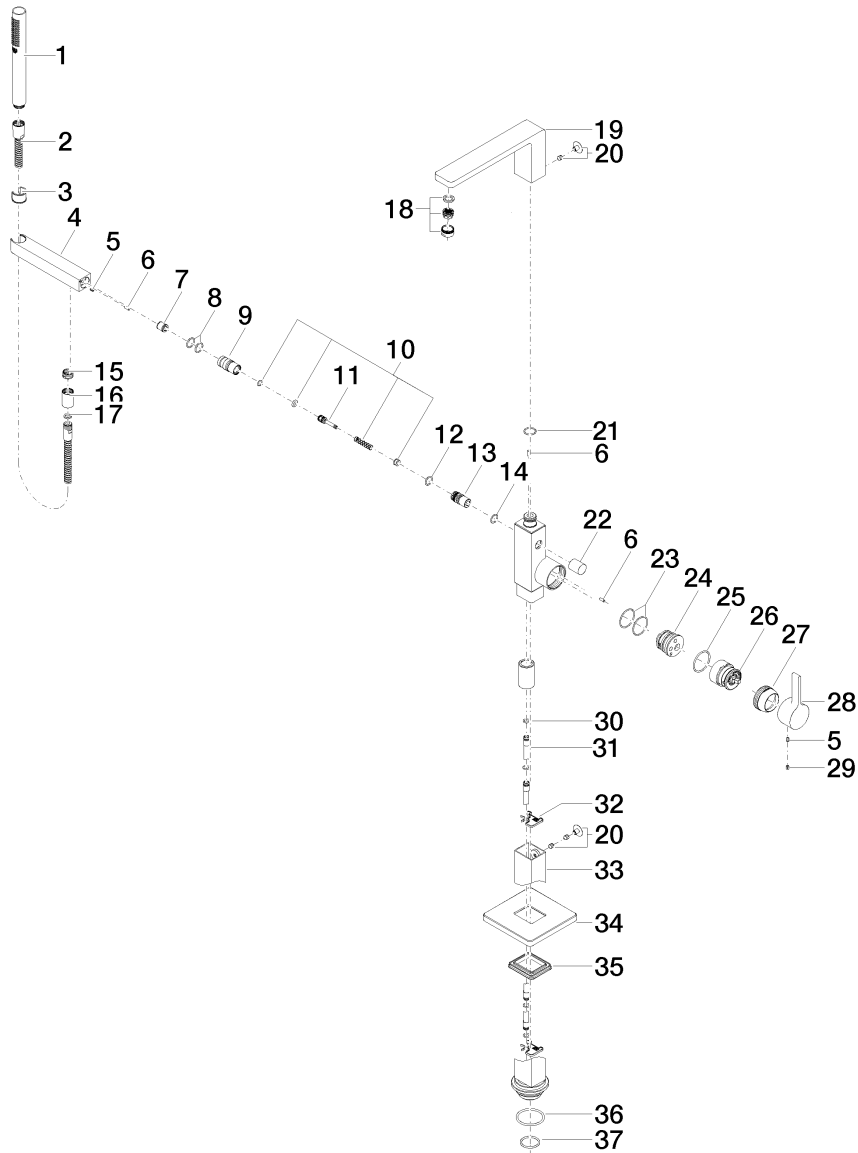
Surfaces

- chrome 25963710-00
- platinum matt 25963710-06

Accessories required

- Floor fastening; 3594597090

Exploded assembly drawing



Order quantity

No.	Article number	Name	Installation quantity
1	28013979ff	shower	1
2	093002072ff	hose	1
3	09184003590	sleeve	1
4	091720026ff	holder	1
5	09311105890	pin	2
6	09311104090	pin	3
7	09230104090	back-flow preventer	1
8	09141001090	seal	1
9	092403130ff	nipple	1
10	9016020230090	spring	1
11	093109094ff	pull-rod	1
12	09141005590	seal	1
13	092134080ff	nipple	1
14	09141003390	seal	1
15	092403069ff	nipple	1
16	092102069ff	cover	1
17	09142002690	seal	1
18	90230111800ff	aerator	1
19	091171042ff	spout	1
20	0431200340090	plug	2
21	09141003190	seal	1
22	092071031ff	handle	1
23	09141011190	seal	1
24	09240314490	adaptor	1
25	09141006790	seal	1
26	09150505090	cartridge	1
27	092404148ff	nut	1
28	092071045ff	handle	1
29	09312001790	plug	1



30	09141013990	seal	1
31	0428220250090	connection	1
32	09209305190	holder	1
33	04282202400ff	pipe	1
34	092771011ff	rosette	1
35	09140310790	seal	1
36	09141008490	seal	1
37	09141001890	seal	1

Flow rate chart

