

AXOR Massaud
Single lever basin mixer 110 with waste set
 Surfaces: **Chrome** Article Number: **18010000**



Description

product features

- consists of: single lever basin mixer, waste set
- ComfortZone 110
- projection 100 mm
- wide flood jet
- flow rate at 3 bar: 4 l/min
- joystick ceramic cartridge
- suitable for continuous flow water heaters
- non-closing waste set
- connection dimension: DN15

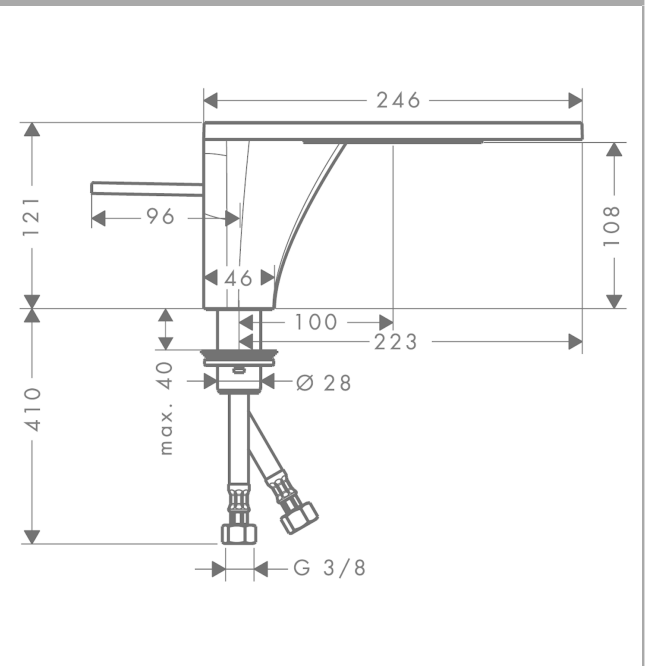
Technology



Product image



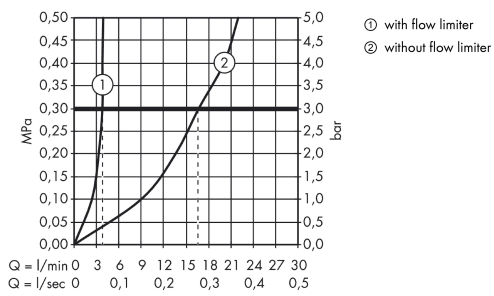
Scale drawing



AXOR Massaud
Single lever basin mixer 110 with waste set
 Surfaces: **Chrome** Article Number: **18010000**



Flowchart

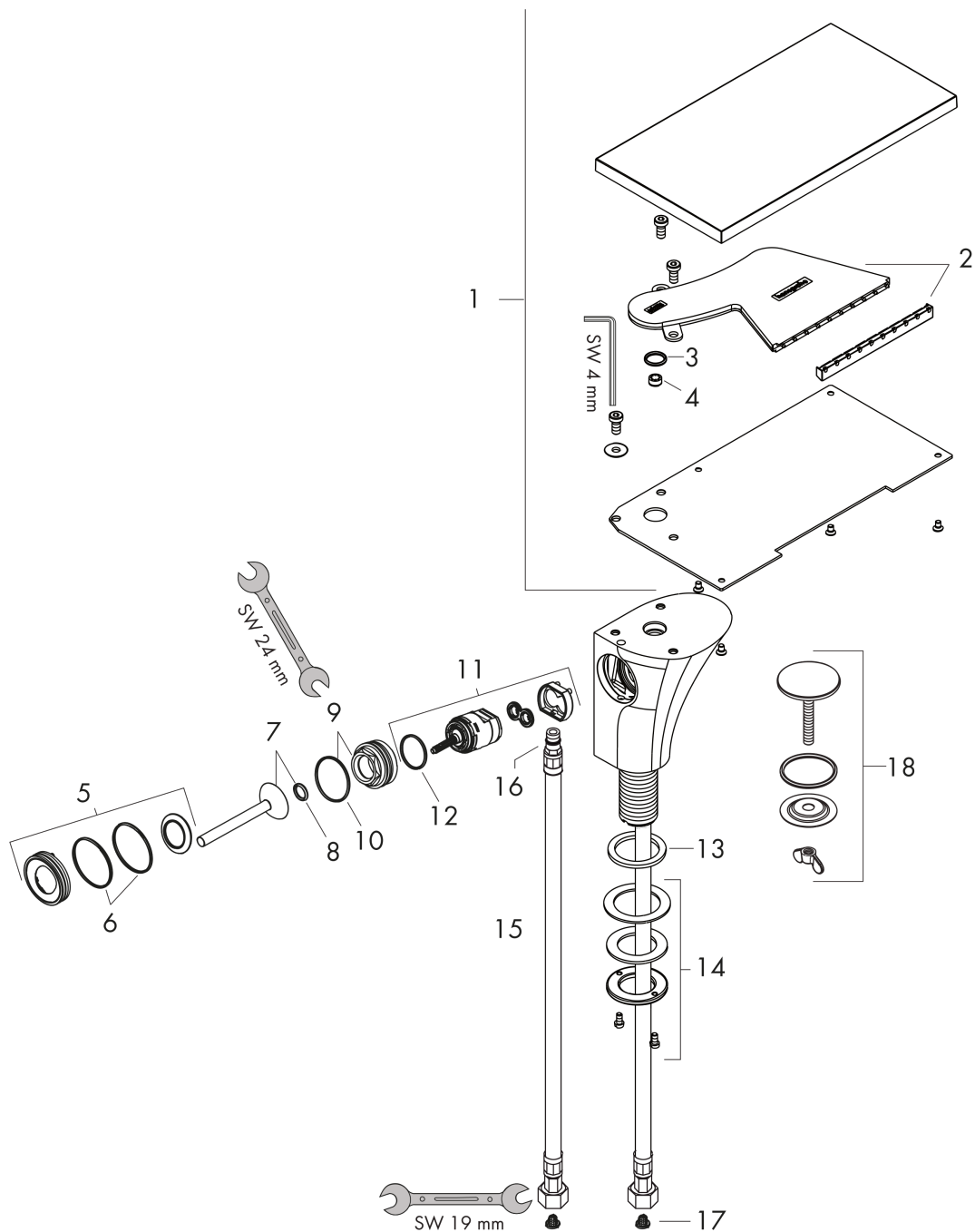


AXOR Massaud
Single lever basin mixer 110 with waste set
 Surfaces: **Chrome** Article Number: **18010000**



Exploded Drawing

Year of production: >07/16



AXOR Massaud
Single lever basin mixer 110 with waste set
 Surfaces: **Chrome** Article Number: **18010000**



Spare part list

Year of production: >07/16

Pos.	Description	Article Number	PC	PU
1	plate for spout	98649000	0	1
2	spray former	97444000	0	1
3	O-ring 12x2	98214000	0	1
4	flow limiter (4 l/min)	98465000	0	1
5	escutcheon	92989000	0	1
6	O-ring 35x1,5	92114000	0	1
7	handle	92490000	0	1
8	O-ring 9x2	98119000	0	1
9	nut	95667000	0	1
10	O-ring 30x1,5	98433000	0	1
11	cartridge, assy	96339000	0	1
12	O-ring 21,95x1,78	95169000	0	1
13	flat seal	98749000	0	1
14	connection hose 450 mm M8x0,75 G3/8	95141000	0	1
15	O-ring 7x1,5	98422000	0	1
16	filter	97973000	0	1
17	tap hole cover	98407000	0	1
a	pop up waste	50001000	0	1
b	service tool for disassembling the handle	92124000	0	1