

**AXOR Starck Organic**  
**Bath thermostat for exposed installation**  
 Surfaces: **Chrome** Article Number: **12410000**



## Description

### product features

- projection 218 mm
- 2 outlets
- centre distance: 150 ± 12 mm
- spray type mixer: normal spray
- flow rate for bath spout at 3 bar: 28 l/min
- flow rate: 20 l/min
- thermostat cartridge, shut-off/ diverter valve
- min. operating pressure: 1 bar
- max. operating pressure: 10 bar
- safety lock at 40° C
- temperature limitation adjustable
- non-return valve
- with silencer
- connection type: s-shaped connections
- connection dimension: DN15

## Design awards



reddot design award

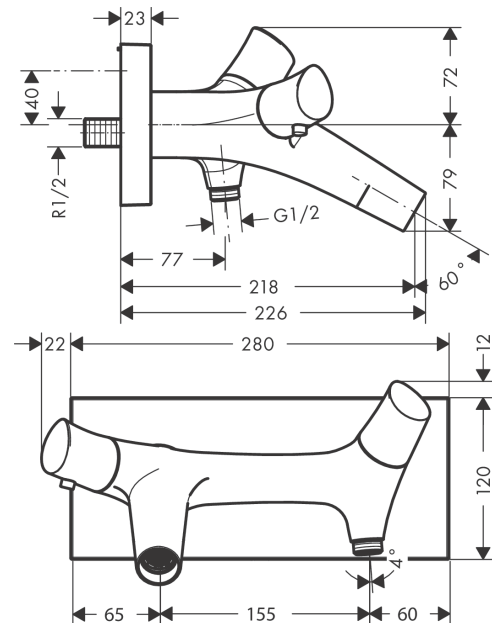


reddot design award  
best of the best 2013

## Product image



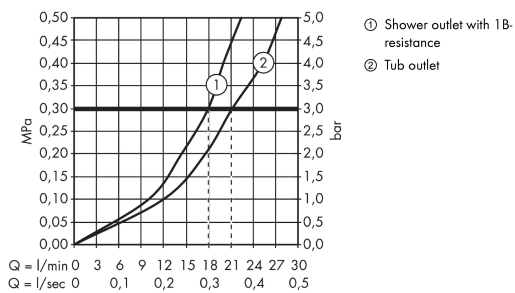
## Scale drawing



**AXOR Starck Organic**  
**Bath thermostat for exposed installation**  
 Surfaces: **Chrome** Article Number: **12410000**



## Flowchart

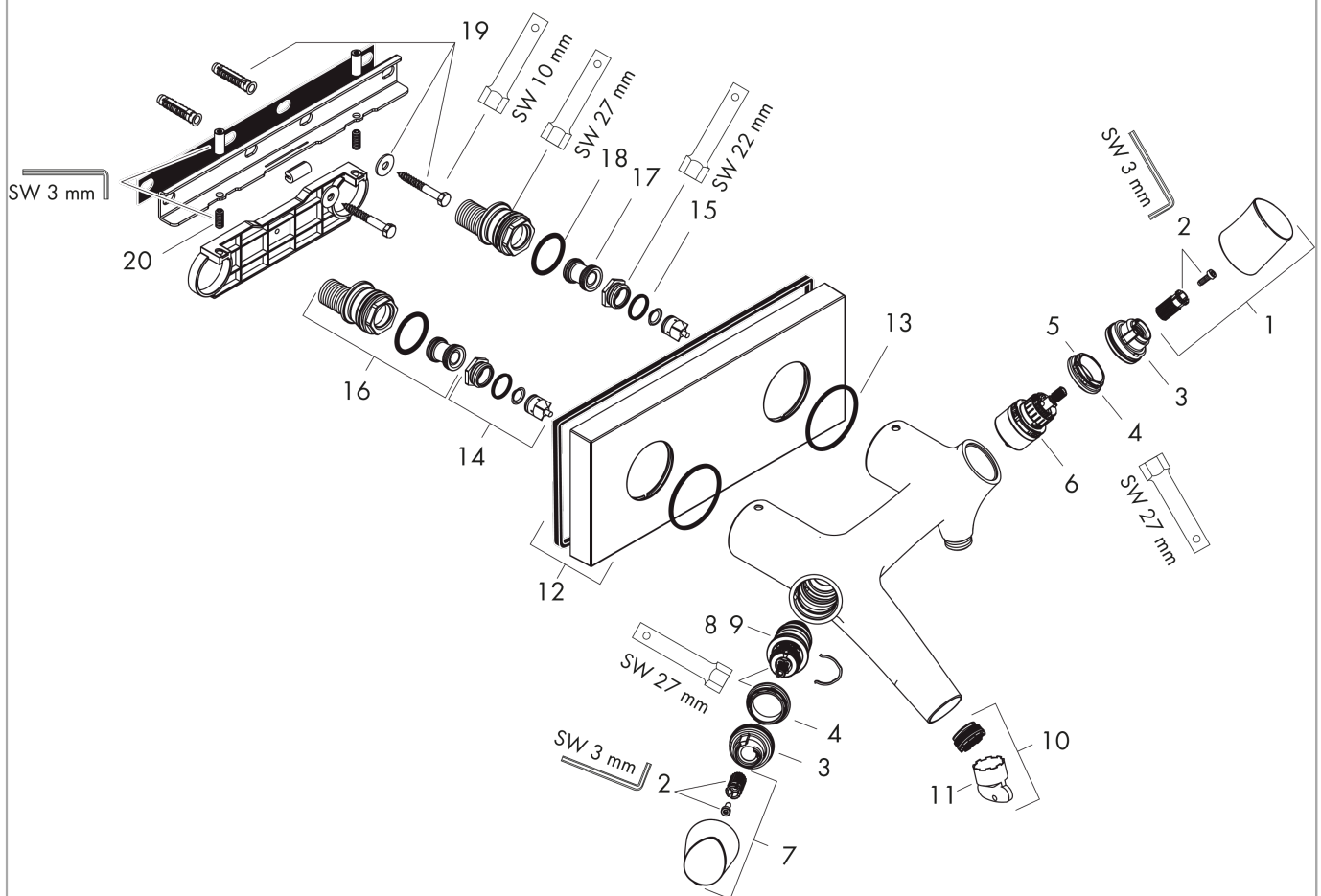


**AXOR Starck Organic**  
**Bath thermostat for exposed installation**  
 Surfaces: **Chrome**    Article Number: **12410000**



## Exploded Drawing

Year of production: >11/12



**AXOR Starck Organic**  
**Bath thermostat for exposed installation**  
 Surfaces: **Chrome** Article Number: **12410000**



## Spare part list

Year of production: >11/12

Pos.	Description	Article Number	PC	PU
1	handle	98333000	0	1
2	handle fixing set	98290000	0	1
3	safety set	98289000	0	1
4	nut	98913000	0	1
5	O-ring 26x1,5	98390000	0	1
6	shut off unit with selector	98283000	0	1
7	handle for thermostat	98334000	0	1
8	thermostat cartridge	98282000	0	1
9	non return valve	96737000	0	1
10	aerator laminar M24x1 C	98337000	0	1
11	special tool	95290000	0	1
12	escutcheon	98332000	0	1
13	O-Ring 50x2,5	95512000	0	1
14	non return valve (pressure-resistant up to 2 MPa)	95773000	0	1
15	O-ring 17x2	98199000	0	1
16	set of S-unions	95772000	0	1
17	noise reduction	96429000	0	1
18	O-ring 29x3	98371000	0	1
19	mounting kit	95430000	0	1
20	hollow set screw M6x16 including o-ring 29x3	98372000	0	1
a	adapter for ball S - union	02026000	0	1
b	Grease	90920000	0	1
c	O-ring 20x1,5	98197000	0	1