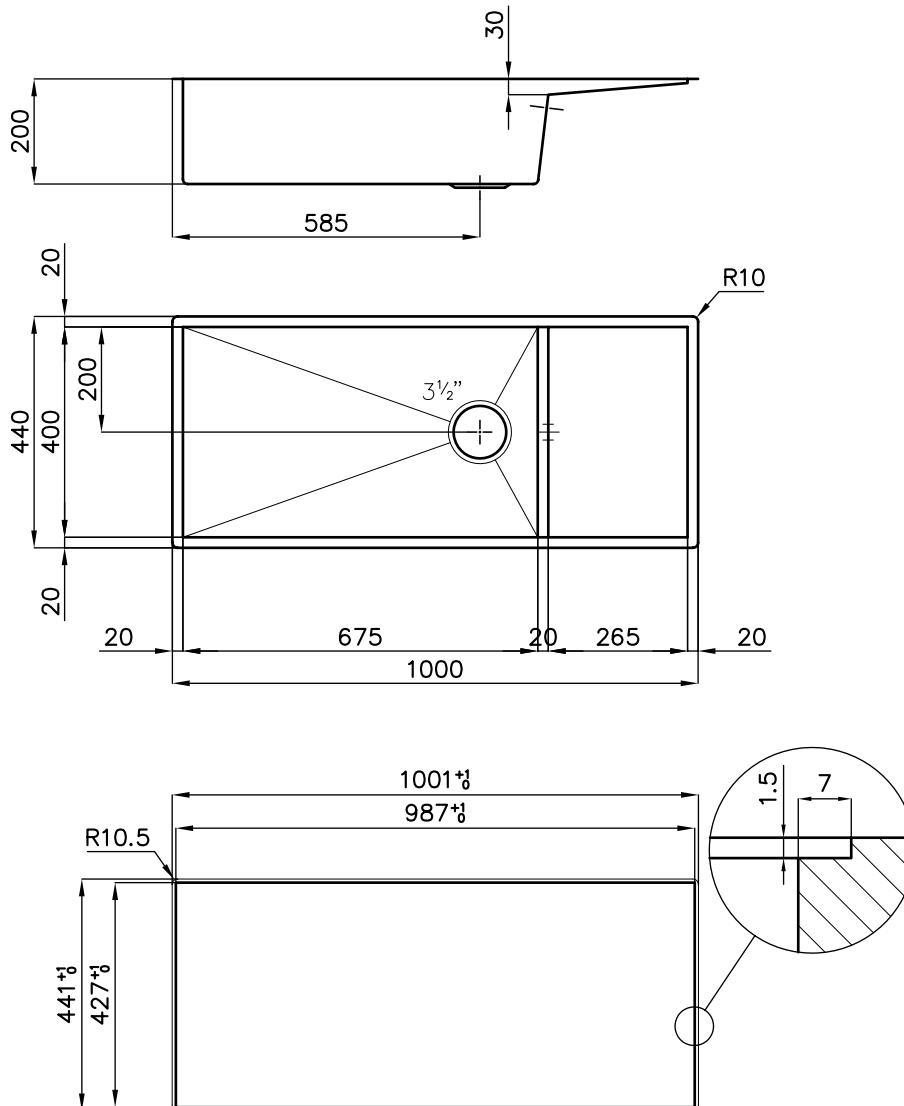


Quadra.100.1V67,5.FT

FT

cod. 1220 050



www.fosterspa.com