

AXOR Starck Organic
Bath thermostat floor-standing
 Surfaces: **Chrome** Article Number: **12016000**



Description

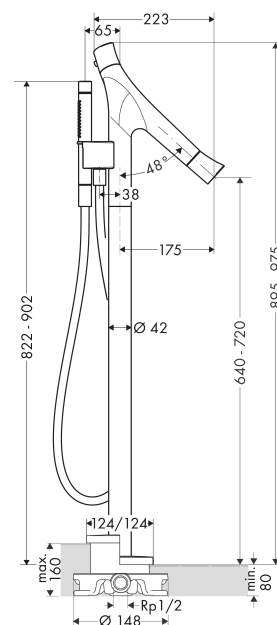
product features

- consists of: bath thermostat floor standing, baton hand shower, shower hose, shower holder
- projection 175 mm
- 2 outlets
- spray type mixer: laminar spray
- spray type hand shower: Rain, MonoRain
- flow rate: 20 l/min
- thermostat cartridge, shut-off/ diverter valve
- safety lock at 40° C
- temperature limitation adjustable
- non-return valve
- connection type: basic set
- connection dimension: DN15
- dirt filter included

Product image



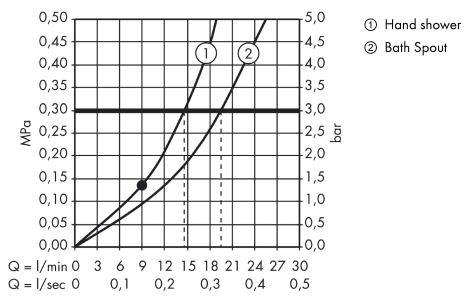
Scale drawing



AXOR Starck Organic
Bath thermostat floor-standing
 Surfaces: **Chrome** Article Number: **12016000**



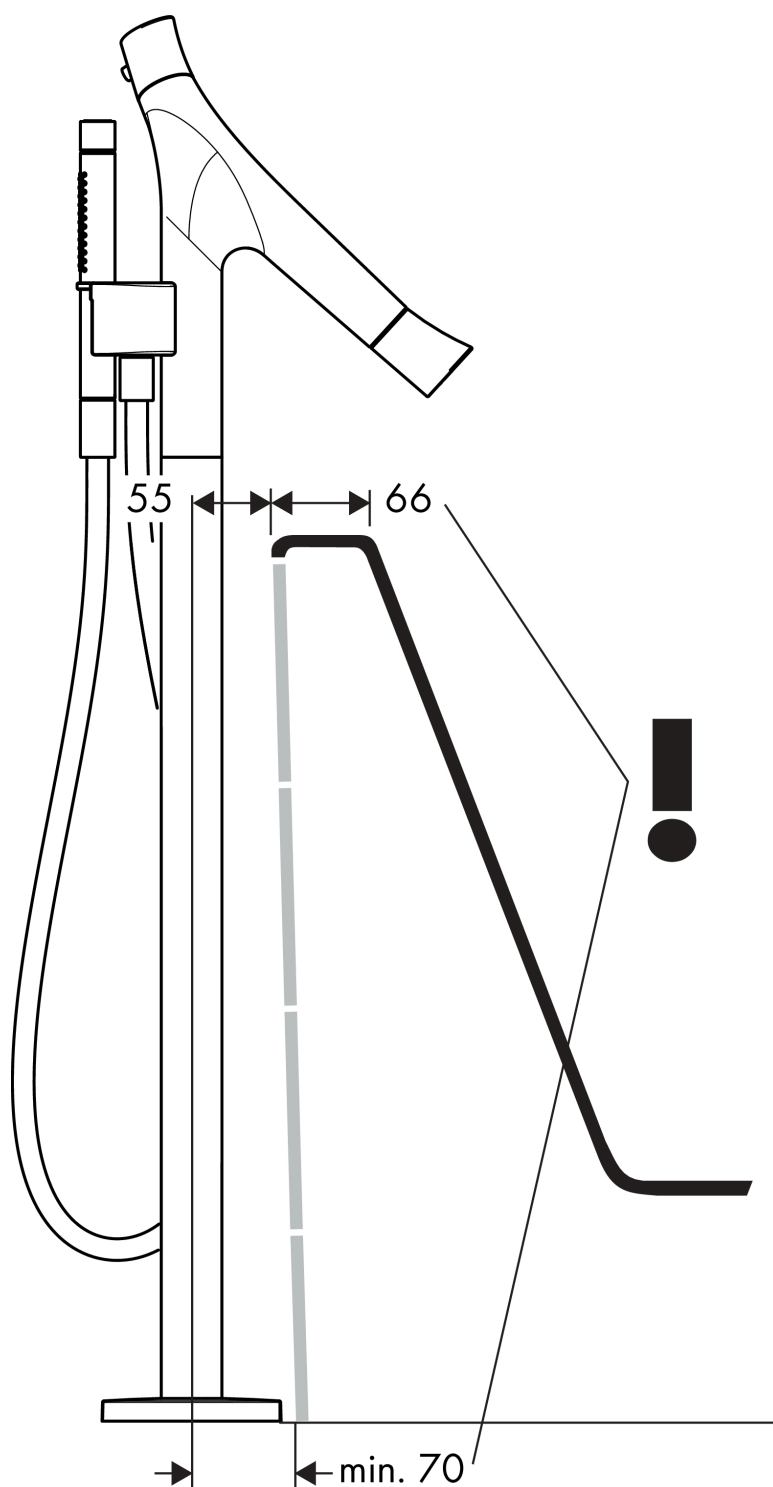
Flowchart



AXOR Starck Organic
Bath thermostat floor-standing
Surfaces: **Chrome** Article Number: **12016000**



Installation examples

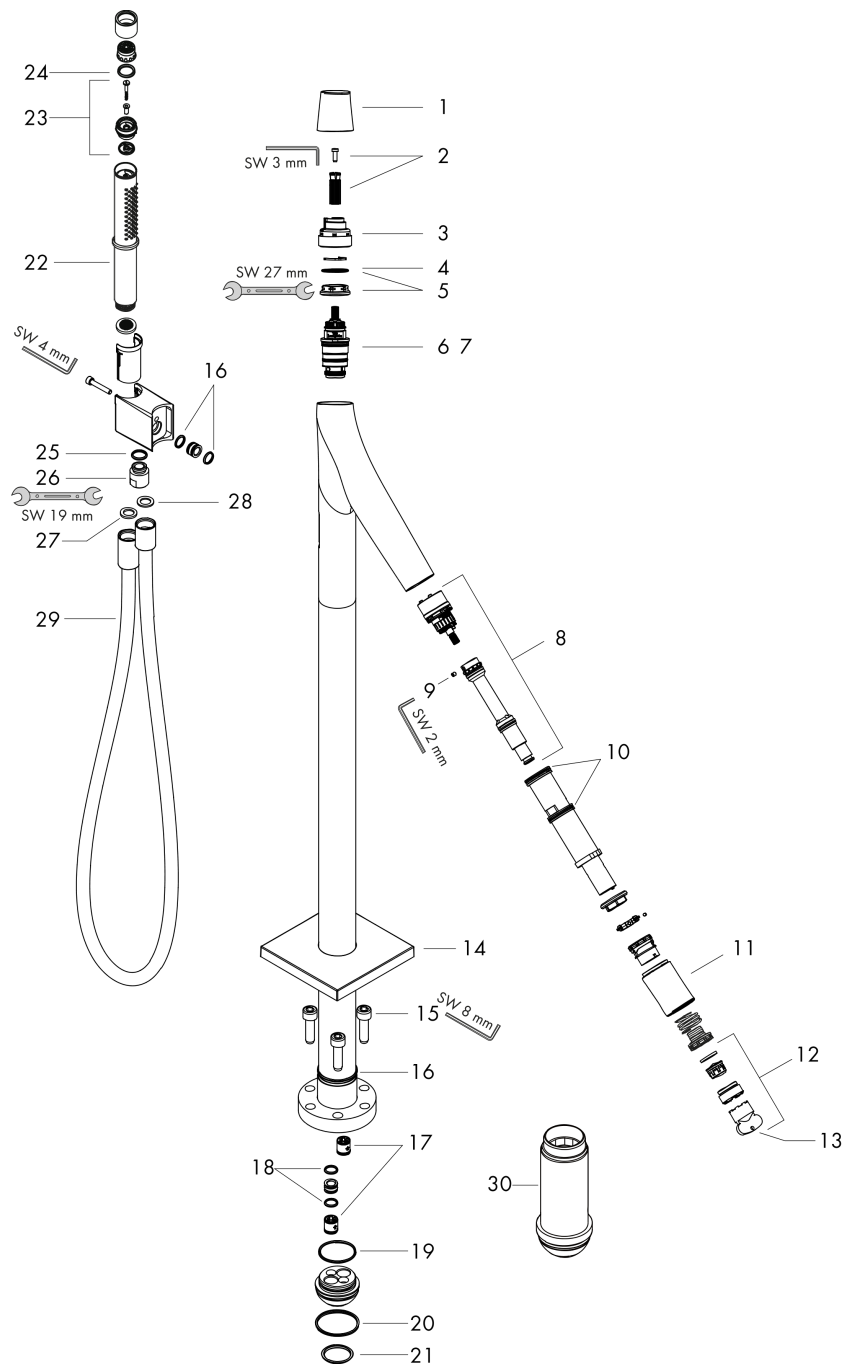


AXOR Starck Organic
Bath thermostat floor-standing
 Surfaces: **Chrome** Article Number: **12016000**



Exploded Drawing

Year of production: >10/13



AXOR Starck Organic
Bath thermostat floor-standing
 Surfaces: **Chrome** Article Number: **12016000**



Spare part list

Year of production: >10/13

Pos.	Description	Article Number	PC	PU
1	handle for thermostat	98334000	0	1
2	handle fixing set	95843000	0	1
3	safety set	95839000	0	1
4	O-ring 26x1,5	98390000	0	1
5	nut	98913000	0	1
6	thermostat cartridge	98282000	0	1
7	cartridge for exchanged connections	92373000	0	1
8	shut off unit with selector	92220000	0	1
9	hollow set screw M4x5	92846000	0	1
10	O-ring 28x2,5	98209000	0	1
11	spout cpl.	92133000	0	1
12	aerator M24x1 (30 l/min)	92132000	0	1
13	special tool	95290000	0	1
14	escutcheon	92134000	0	1
15	hexagon socket screw M10x35	97670000	0	1
16	O-ring 41x2	98212000	0	1
17	set of non return valves DW 15	94074000	0	1
18	O-ring 11x2	98127000	0	1
19	O-Ring 36x2,5	98190000	0	1
20	O-ring 44x2,5	98162000	0	1
21	O-ring 29x3	98371000	0	1
22	handshower	95390000	0	1
23	selector assy	95511000	0	1
24	O-Ring 14x2,5	98189000	0	1
25	O-ring 14x2	98129000	0	1
26	connecting thread	95392000	0	1
27	filter packing	94246000	0	1
28	seal	98058000	0	1
29	shower hose 1,25 m	28282000	0	1
30	extension set 60 mm	92135000	0	1
a	flow-restrictor-set	92019000	0	1
b	concealed item	10452180	0	1
c	sealing foil	96441000	0	1